

ZVLV-10.14.07-PP 682109

Primary Usage

Reference No.

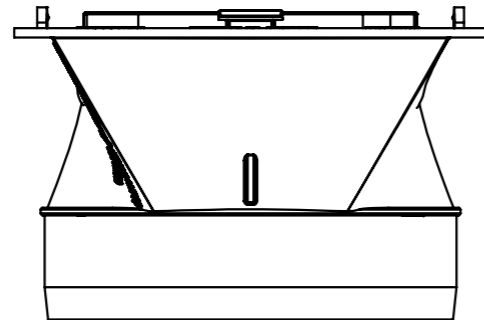
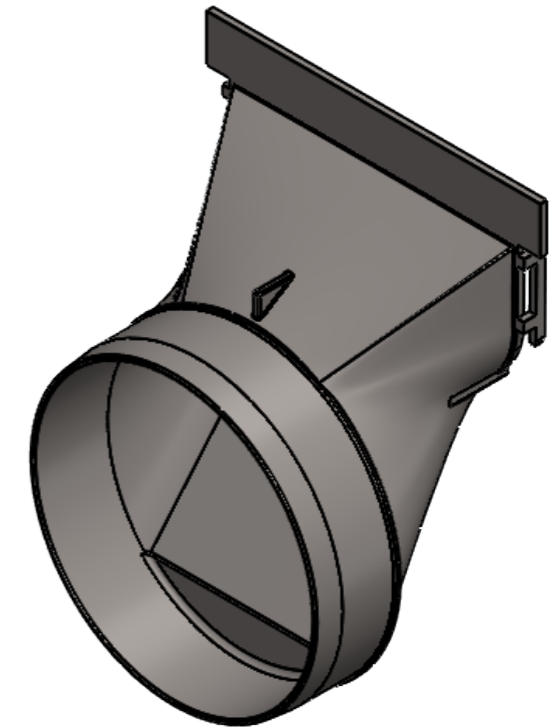
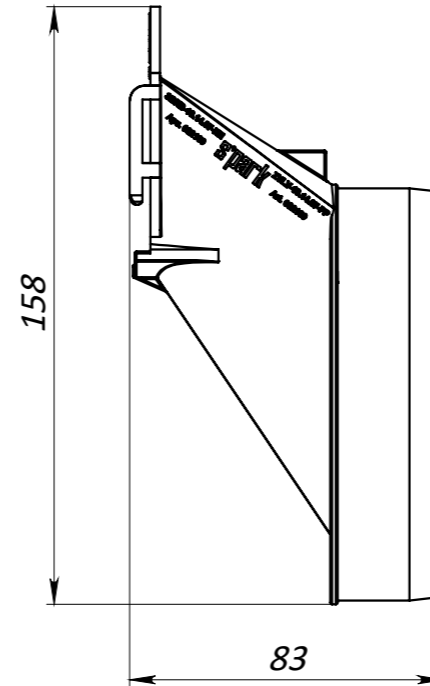
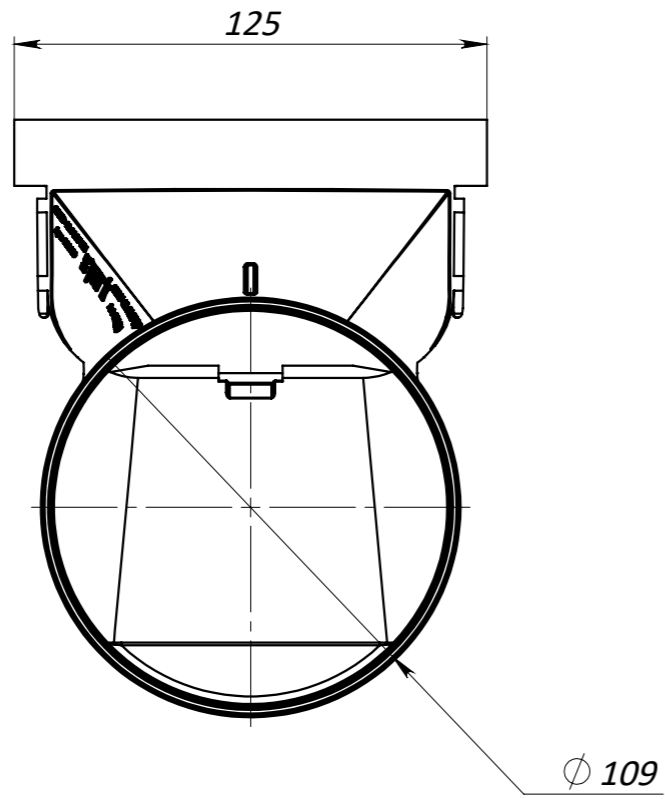
Sign. and date

Copy inv. No.

Repl. Inv. No.

Sign. and date

Orig. Inv. No.



1. Deviation of the actual weight of the nominal can be up to 12%

					Art.	682109				
					ZVLV-10.14.07-PP 682109					
					End Cap with outlet S'park 2			Let.	Weight	Scale
									0.072	1:2
								Sheet	Sheets 1	
					Plastic					