

LV-07.09.09-PP - 088081-M

Primary Usage

Reference No.

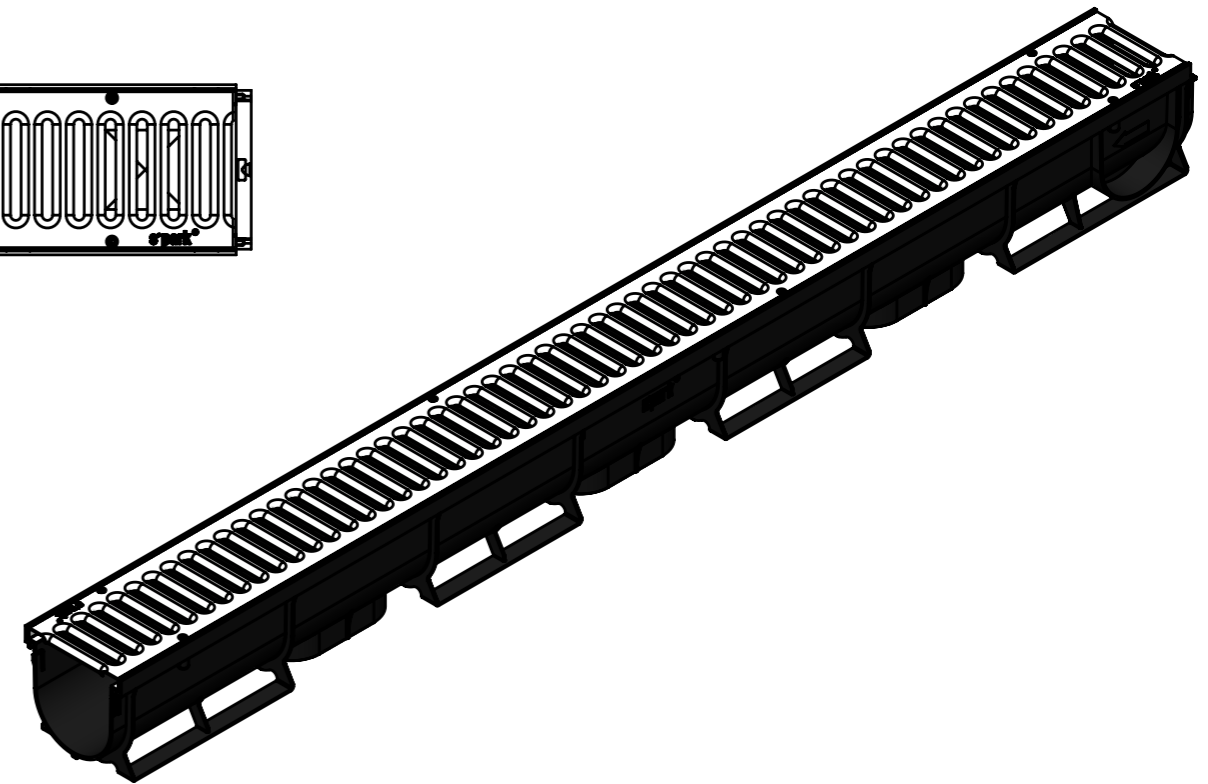
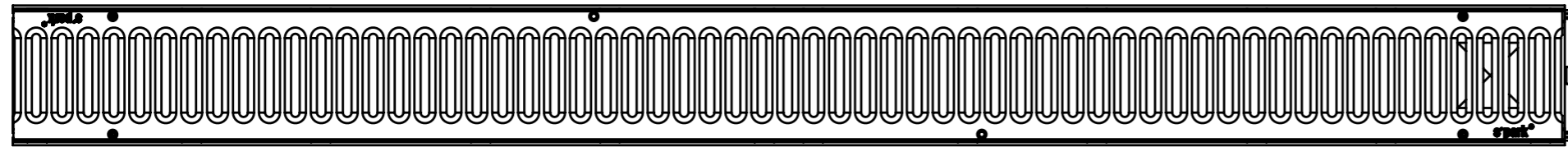
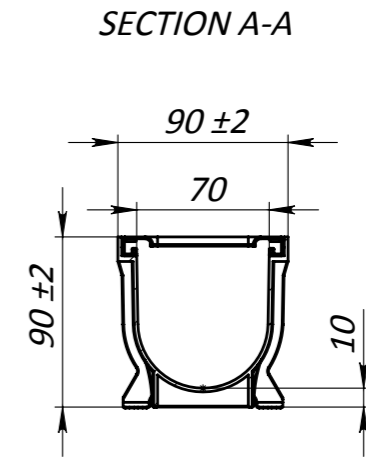
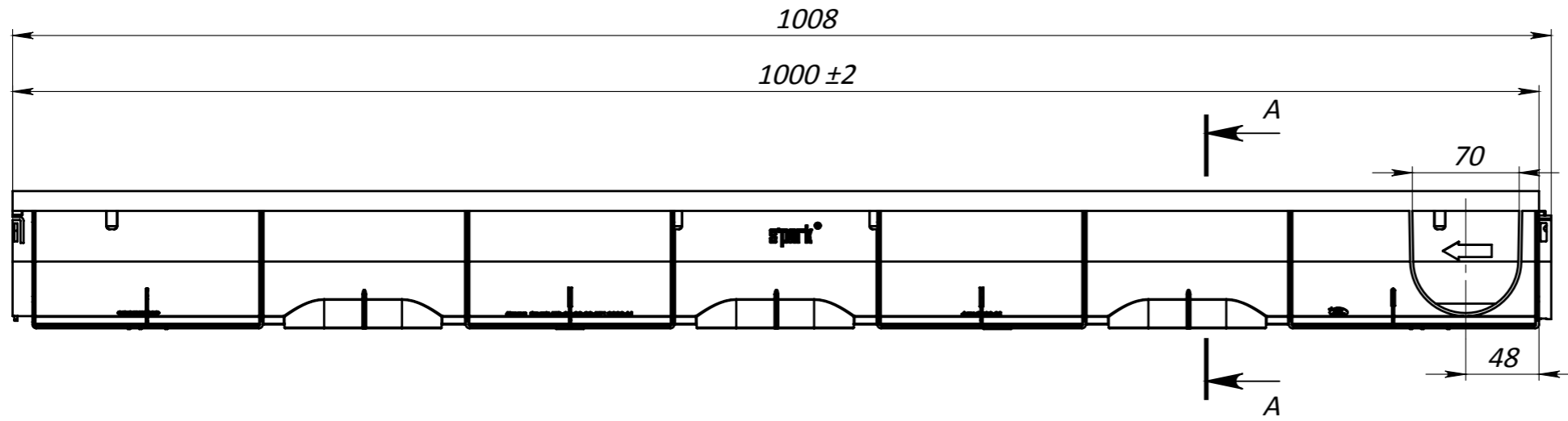
Sign. and date

Copy inv. No.

Repl. Inv. No.

Sign. and date

Orig. Inv. No.



1. Area of water intake slots 175 cm²

					Art. 088081-M			
					LV-07.09.09-PP - 088081-M			
					Plastic Channel Spark with grating slotted			
					Load Class A			
					Let.		Weight	Scale
							1.34	1:4
					Sheet		Sheets 1	
					Plastic, Steel			
					