

LV-07.09.09-PP - 088081-M

Primary Usage

Reference No.

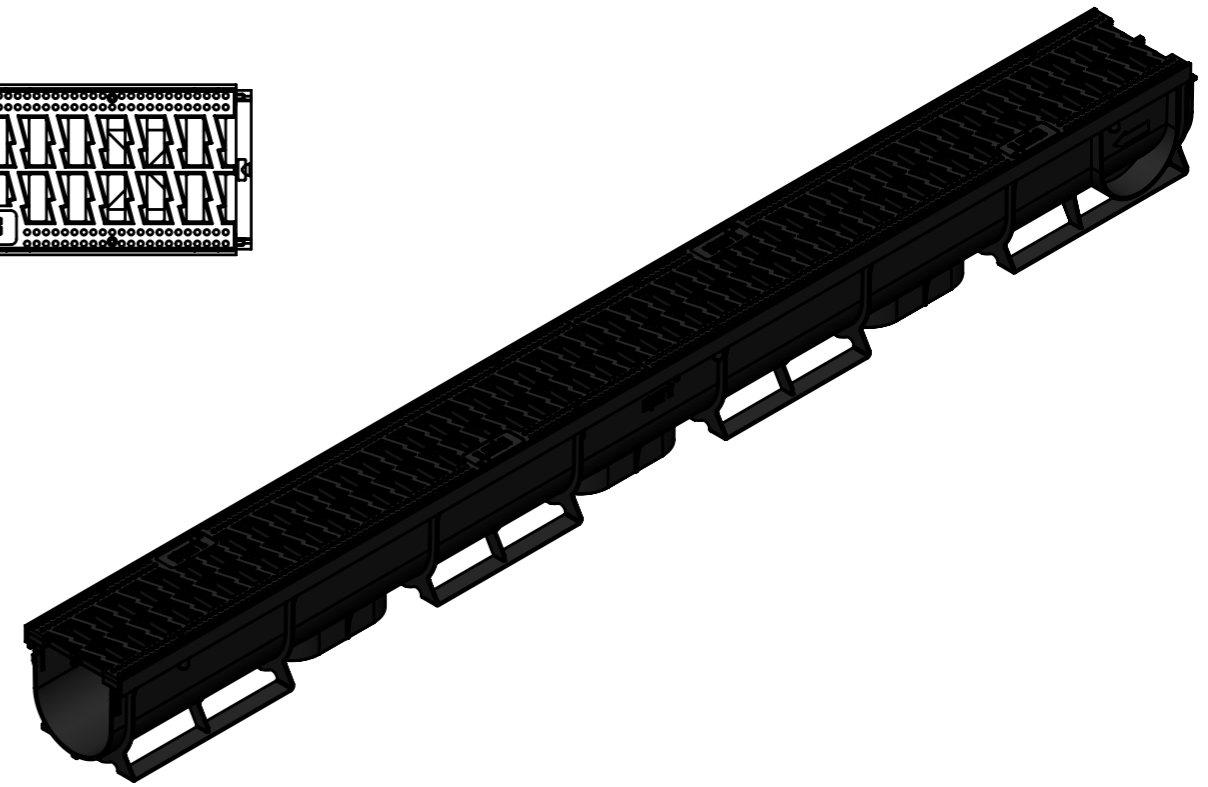
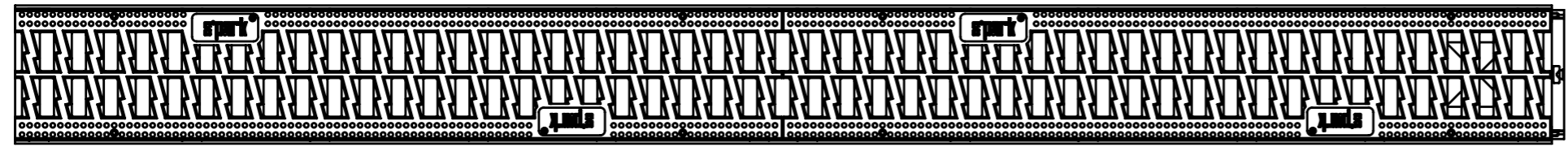
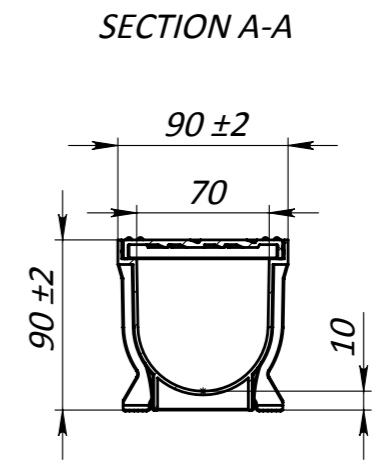
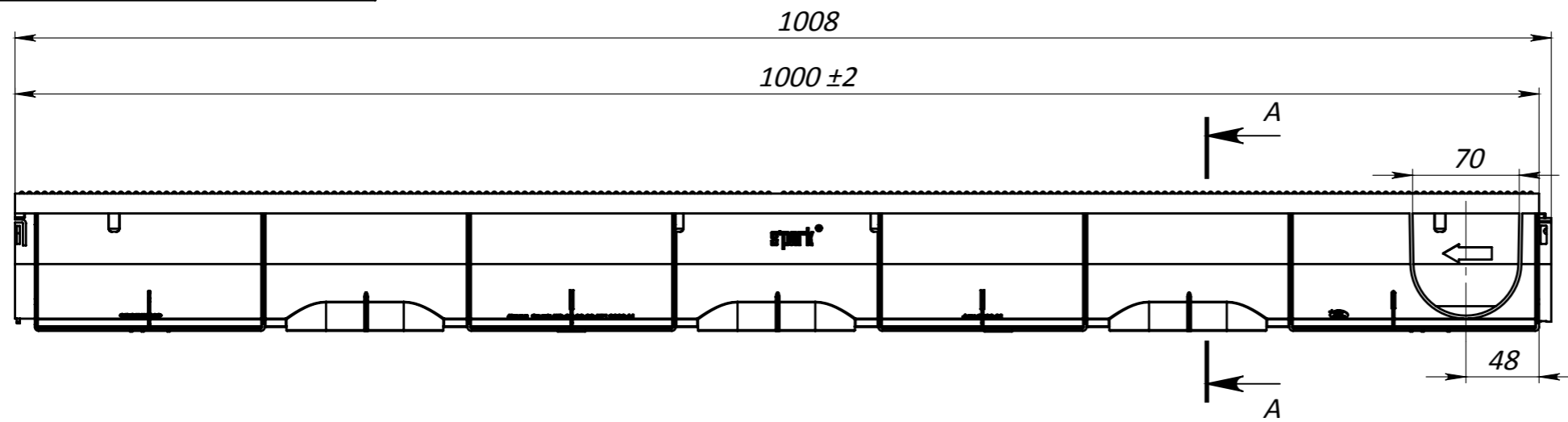
Sign. and date

Copy inv. No.

Repl. Inv. No.

Sign. and date

Orig. Inv. No.



1. Area of water intake slots 225 cm<sup>2</sup>

					Art. 088081-M			
					<b>LV-07.09.09-PP - 088081-M</b>			
Rev.	Sheet	Doc. No.	Sign.	Data	Plastic Channel Spark with grating slotted	Let.	Weight	Scale
				16.05.16			0.73	1:4
					<b>Load Class A</b>		Sheet	Sheets 1
					Plastic			