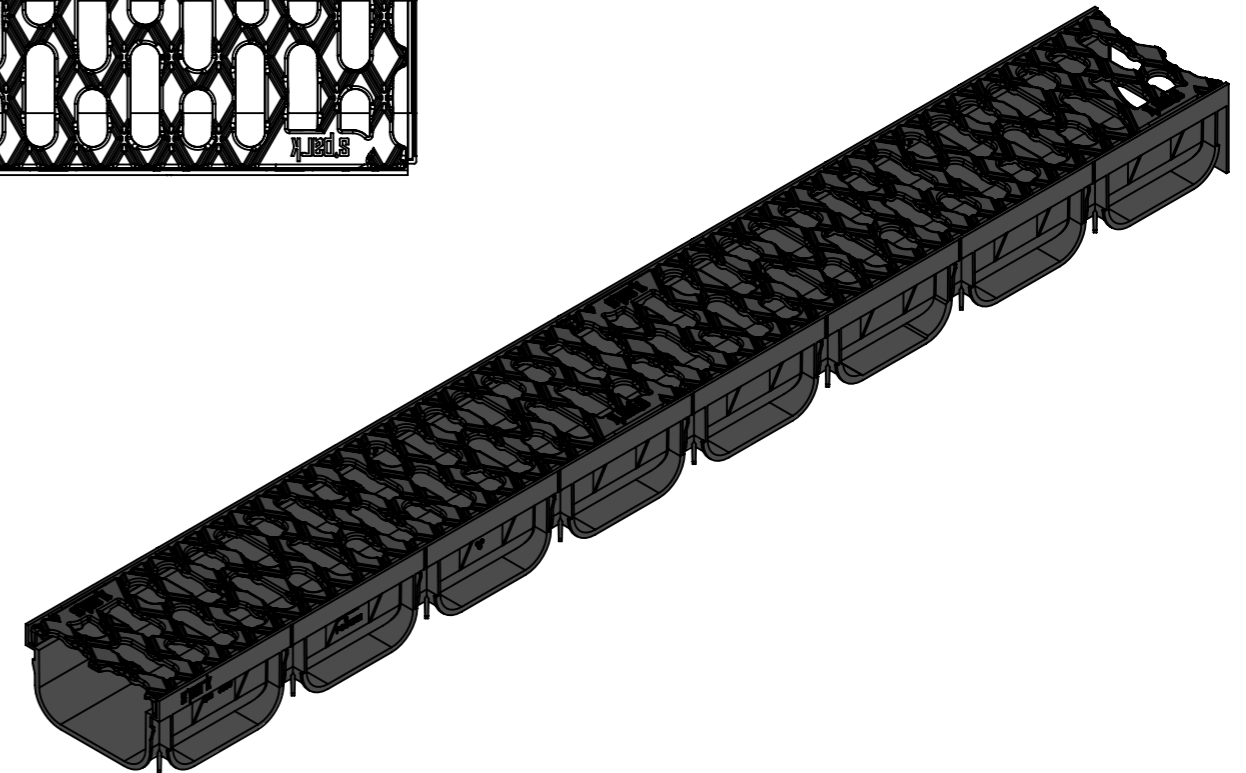
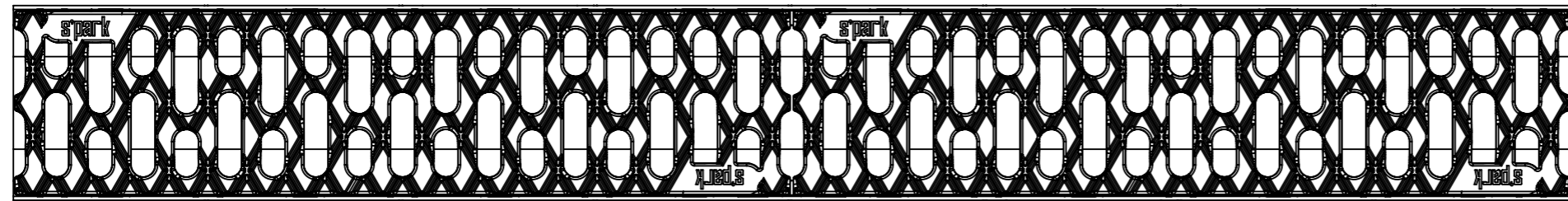
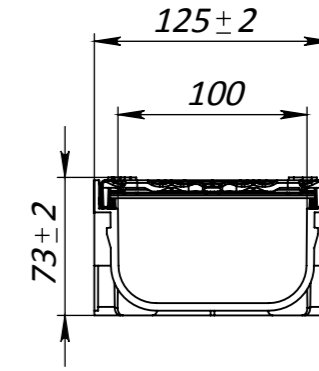
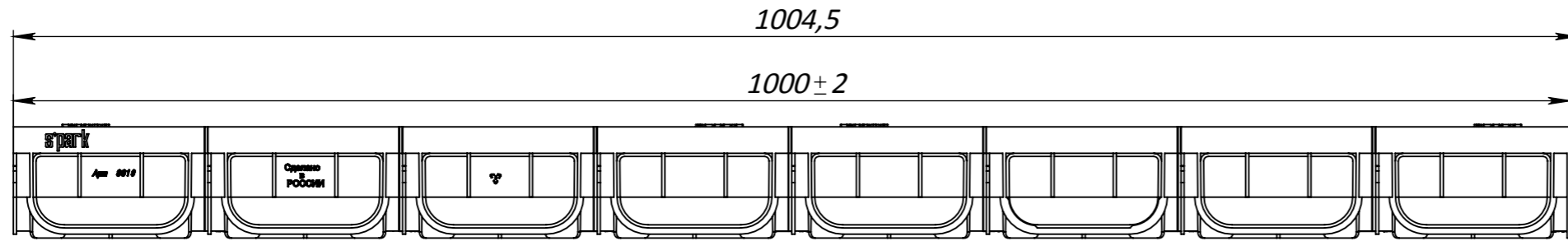


LV-10.14.07-PP - 08813



1. Area of water intake slots 293 cm²

Primary Usage

Reference No.

Sign. and date

Copy inv. No.

Repl. Inv. No.

Sign. and date

Orig. Inv. No.

						Art.	08813	
						LV-10.14.07-PP - 08813		
Rev.	Sheet	Doc. No.	Sign.	Data	Plastic Channel Spark with grating slotted Load Class A	Let.	Weight	Scale
				16.05.16			3.59	1:4
						Sheet	Sheets 1	
						Plastic, Ductile Cast Iron	