

Primary Usage

Reference No.

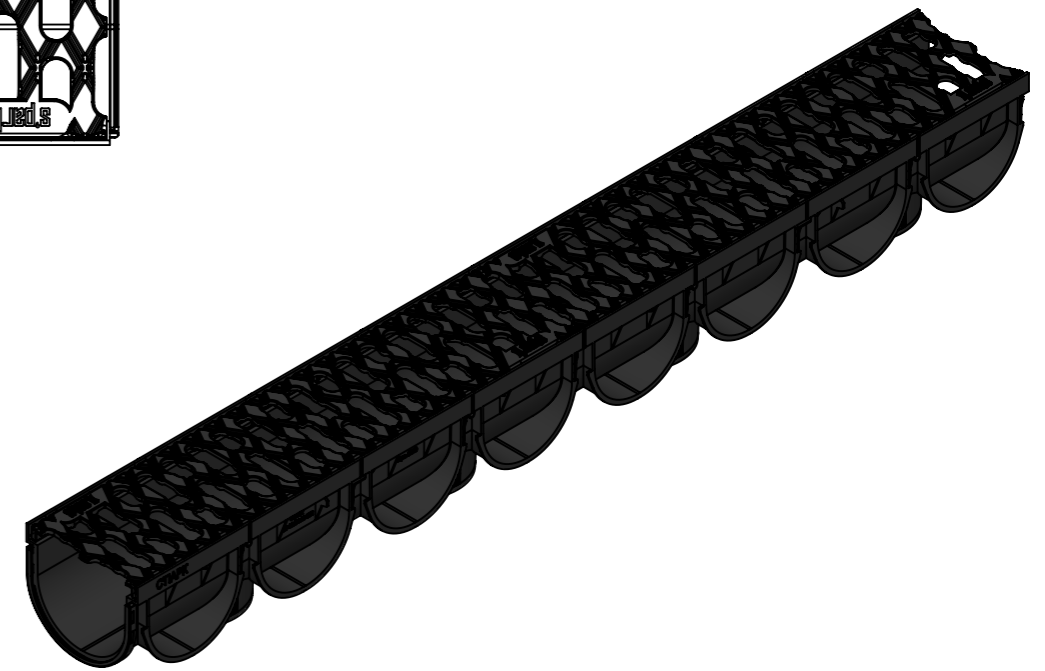
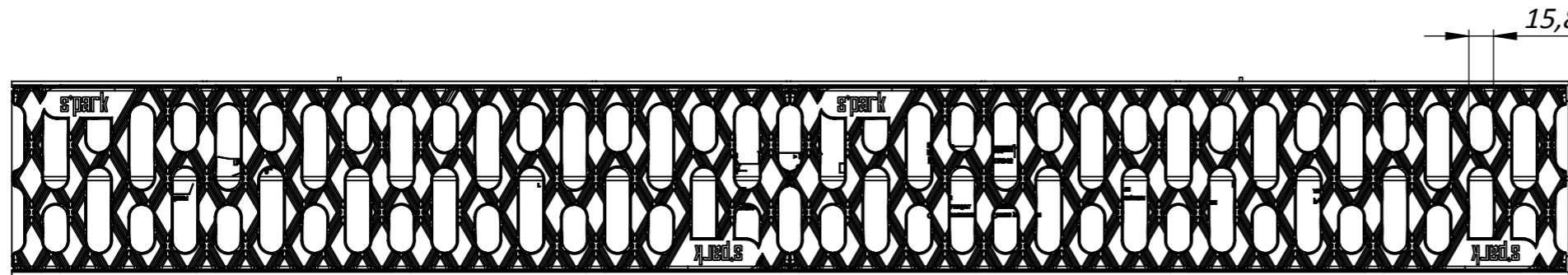
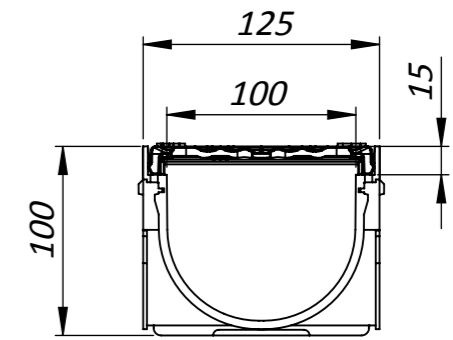
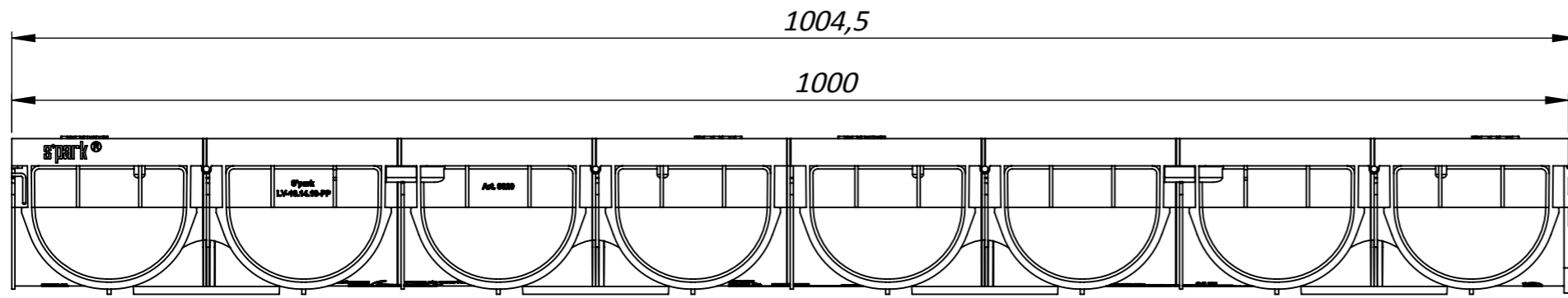
Sign. and date

Copy inv. No.

Repl. Inv. No.

Sign. and date

Orig. Inv. No.



						Art.	0801013		
						LV-10.14.10-PP - 0801013			
						Channel Spark with ductile cast iron grating Load Class A	Let.	Weight	Scale
								4.09	1:4
							Sheet	Sheets 1	
						Plastic, Ductile Cast Iron	