

LV-10.14.10-PP-VCH 0882033

Primary Usage

Reference No.

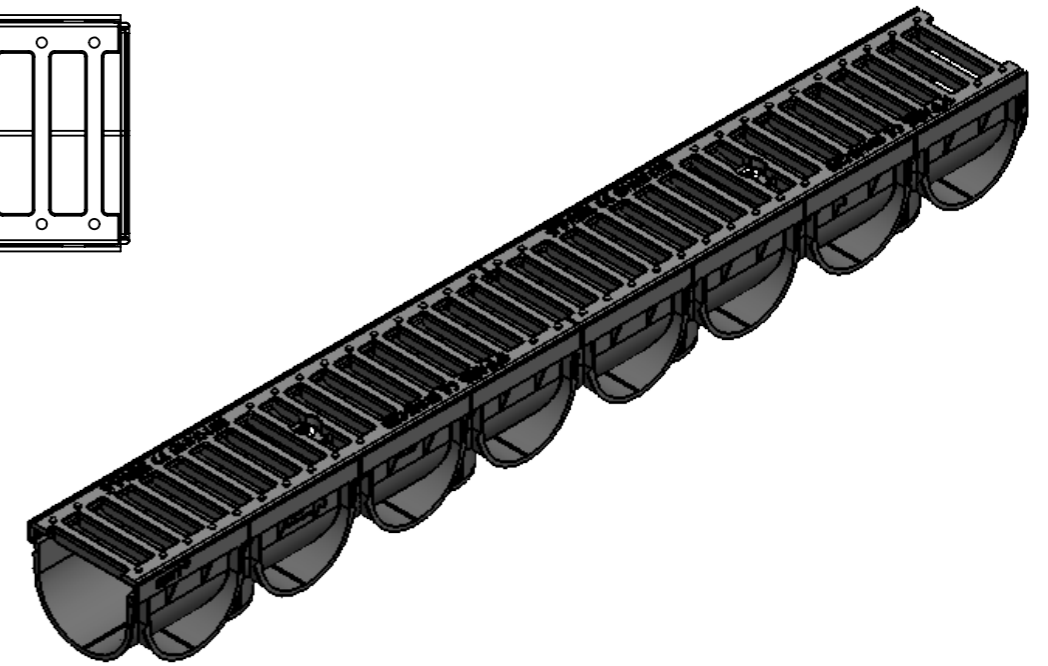
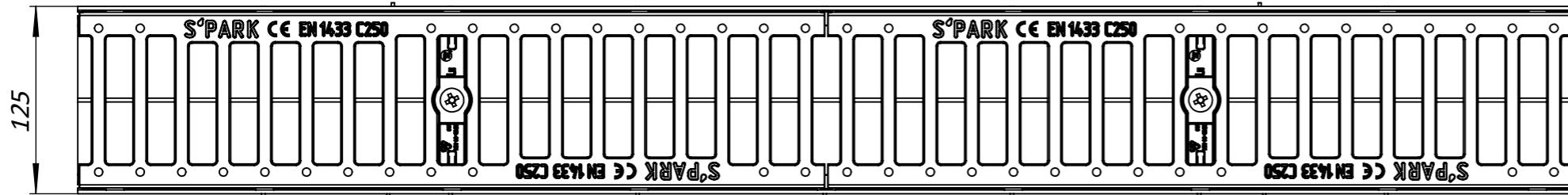
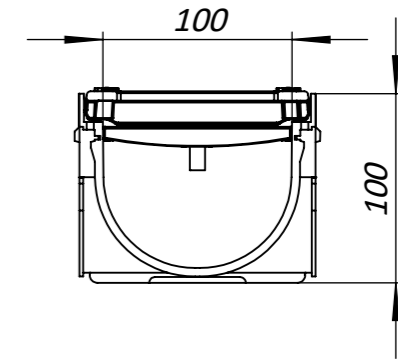
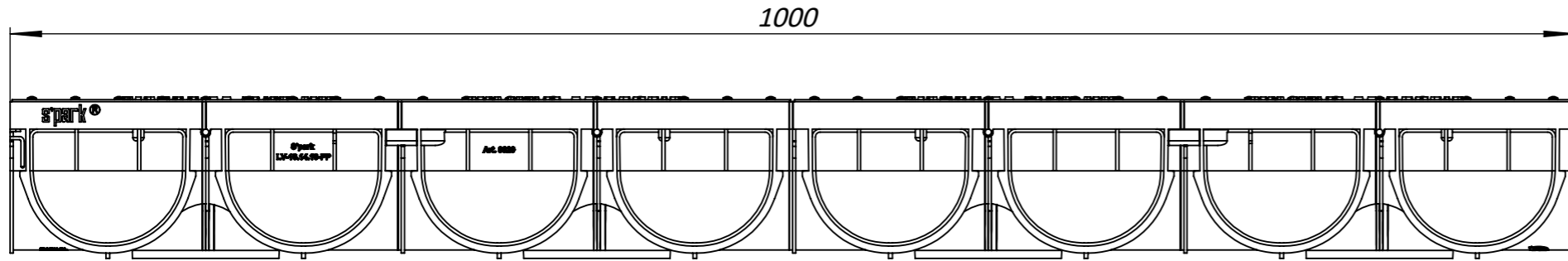
Sign. and date

Copy inv. No.

Repl. Inv. No.

Sign. and date

Orig. Inv. No.



1. Deviator of the actual weight of the nominal can be up to 10%

					Art. 0882033											
					LV-10.14.10-PP-VCH 0882033											
					Plastic Channel S'park with Ductile Cast Iron Grating											
					Load Class C											
					Plastic, Ductile Cast Iron											
					<table border="1"> <tr> <td>Let.</td> <td>Weight</td> <td>Scale</td> </tr> <tr> <td></td> <td>5.6</td> <td>1:4</td> </tr> <tr> <td colspan="2">Sheet</td> <td>Sheets 1</td> </tr> </table>			Let.	Weight	Scale		5.6	1:4	Sheet		Sheets 1
Let.	Weight	Scale														
	5.6	1:4														
Sheet		Sheets 1														
					