

Primary Usage

Reference No.

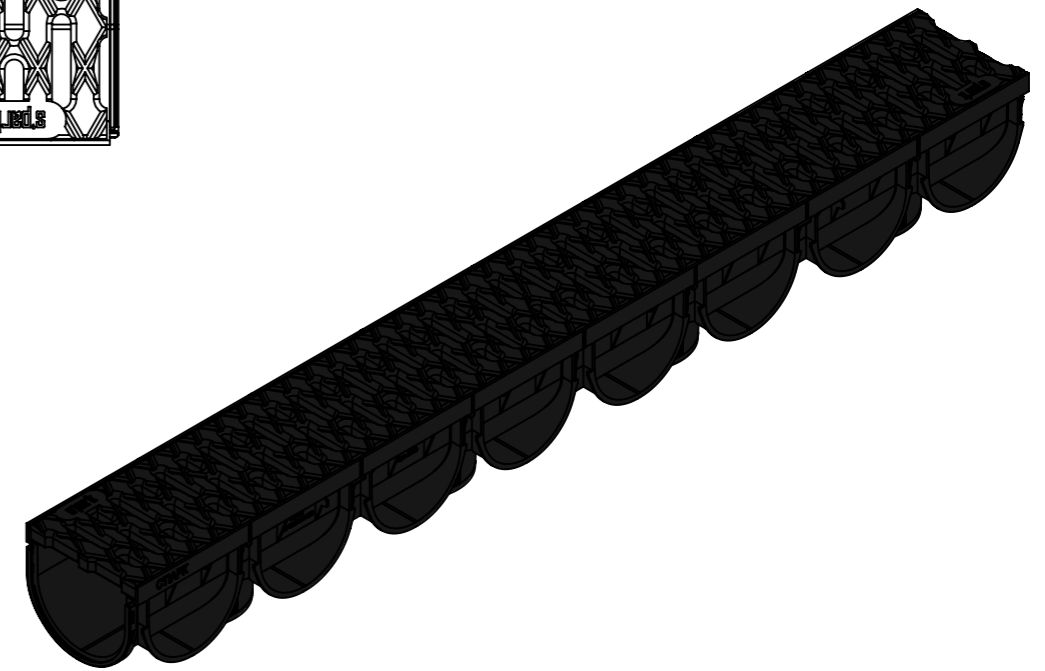
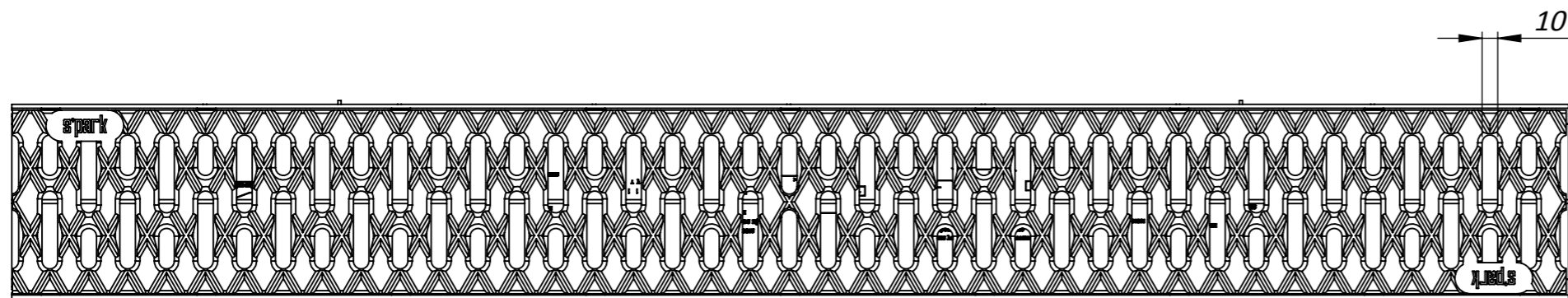
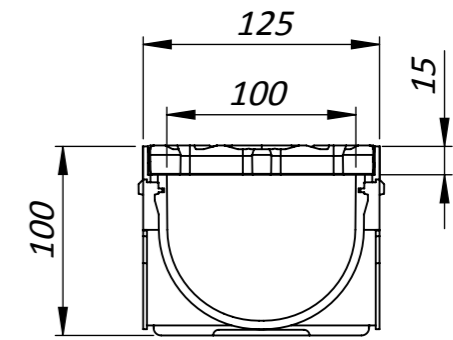
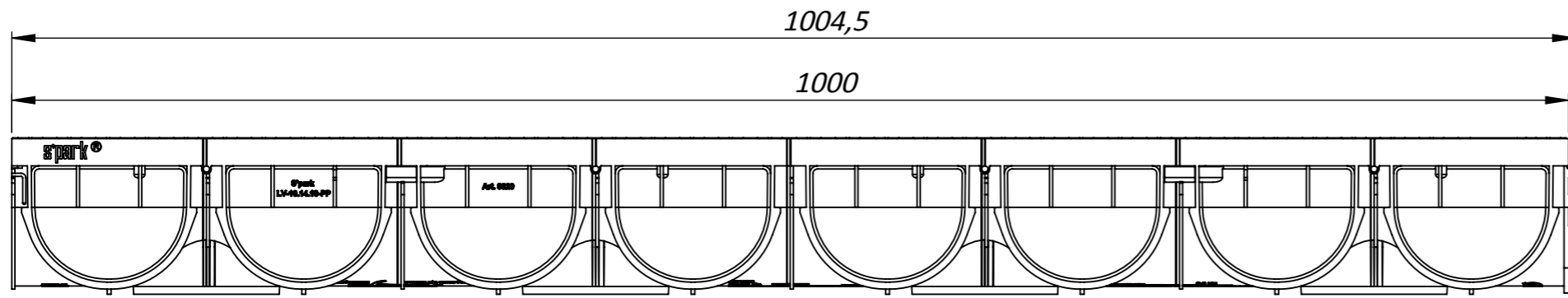
Sign. and date

Copy inv. No.

Repl. Inv. No.

Sign. and date

Orig. Inv. No.



					Art.	0801018
					<b>LV-10.14.10-PP - 0801018</b>	
					Let.	Weight
						Scale
						1.42
						1:4
					Sheet	Sheets 1
					Plastic	
					