

LV-10.16.23-B - 040071334

Primary Usage

Reference No.

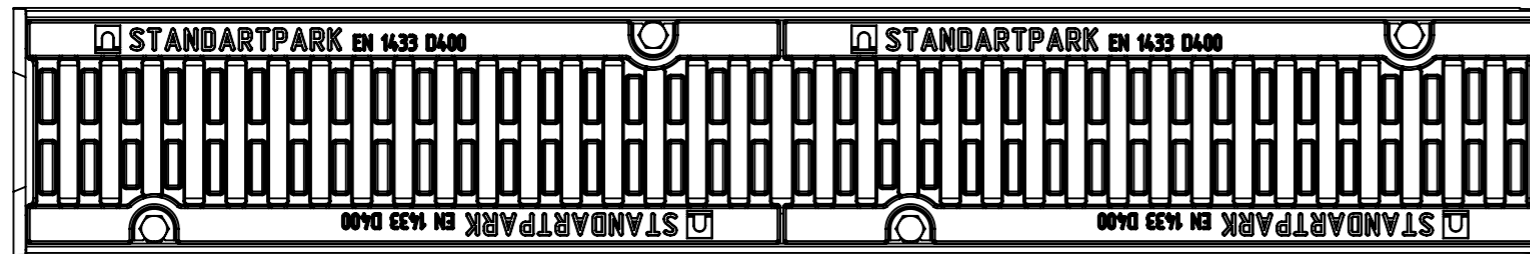
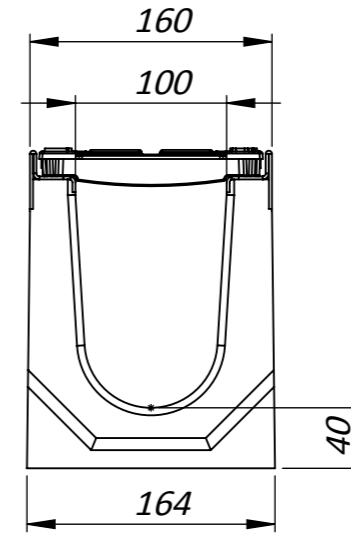
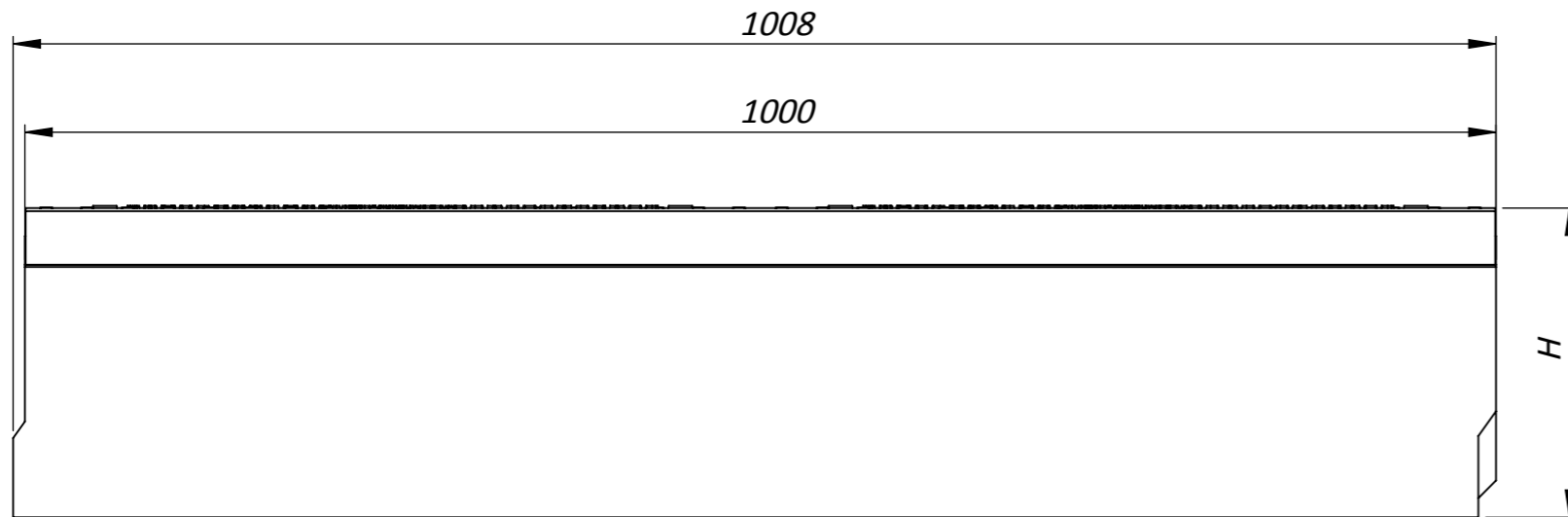
Sign. and date

Copy inv. No.

Repl. Inv. No.

Sign. and date

Orig. Inv. No.



- 1. Area of water intake slots 416 sq cm
- 2. Deviation of the actual weight of the nominal can be up to 10%

Article	Name	H, mm
040071334/230	LV-10.16.23-B-K230	230
040071334/225	LV-10.16.23-B-K225	225
040071334/220	LV-10.16.23-B-K220	220
040071334/215	LV-10.16.23-B-K215	215
040071334/210	LV-10.16.23-B-K210	210
040071334/205	LV-10.16.23-B-K205	205
040071334/200	LV-10.16.23-B-K200	200
040071334/195	LV-10.16.23-B-K195	195
040071334/190	LV-10.16.23-B-K190	190
040071334/185	LV-10.16.23-B-K185	185
040071334/180	LV-10.16.23-B-K180	180
040071334/175	LV-10.16.23-B-K175	175
040071334/170	LV-10.16.23-B-K170	170
040071334/165	LV-10.16.23-B-K165	165
040071334/160	LV-10.16.23-B-K160	160
040071334/155	LV-10.16.23-B-K155	155
040071334/150	LV-10.16.23-B-K150	150
040071334/145	LV-10.16.23-B-K145	145
040071334/140	LV-10.16.23-B-K140	140
040071334/135	LV-10.16.23-B-K135	135
040071334/130	LV-10.16.23-B-K130	130
040071334/125	LV-10.16.23-B-K125	125
040071334/120	LV-10.16.23-B-K120	120

Rev.	Sheet	Doc. No.	Sign.	Data	Art.		
				25.07.18	LV-10.16.23-B - 040071334 cascade		
Concrete channel BetoMax Drive with grating slotted Load Class D					Let.	Weight	Scale
							1:5
					Sheet	Sheets 1	
Concrete, Steel, Ductile Cast Iron							