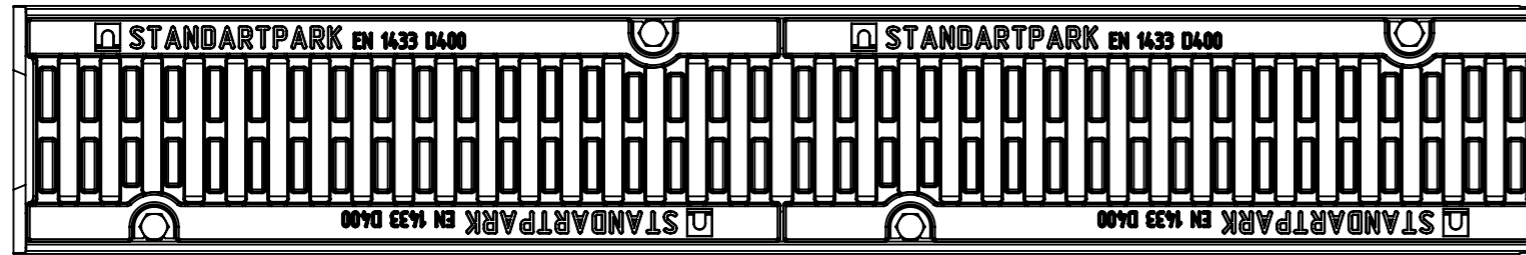
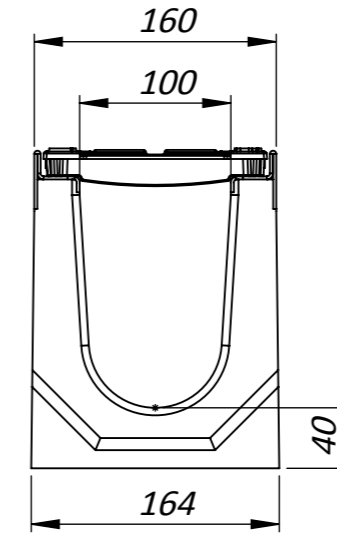
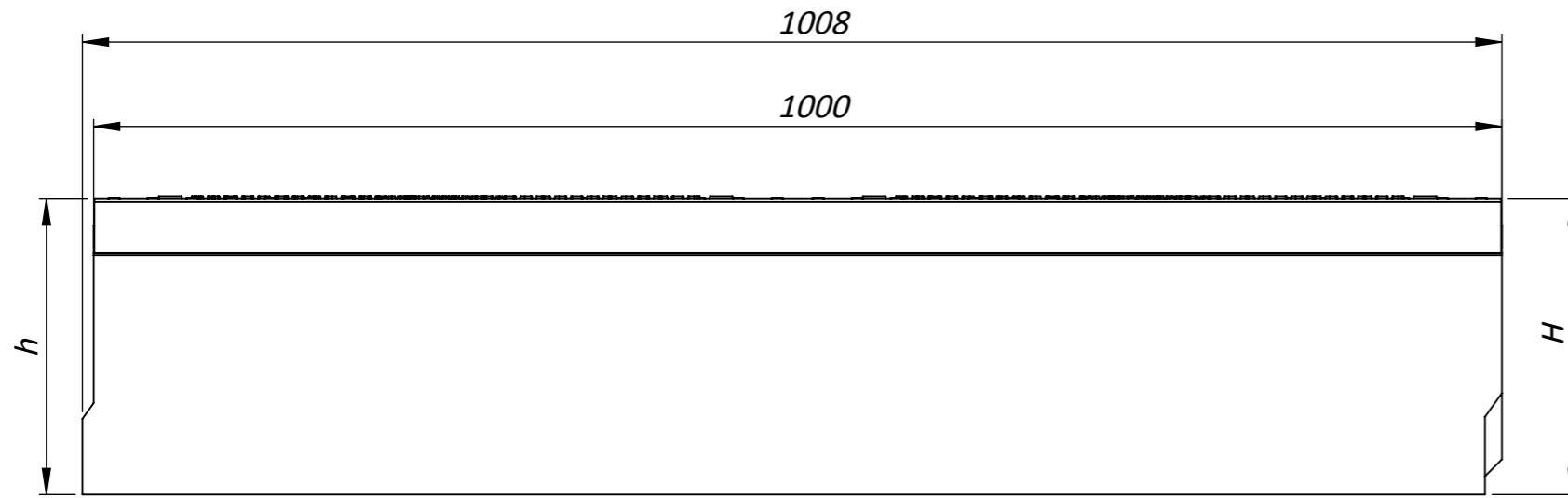


LV-10.16.23-B - 040071334

Primary Usage

Reference No.



- 1. Area of water intake slots 416 sq cm
- 2. Deviation of the actual weight of the nominal can be up to 10%

Article	Name	H, mm	h, mm
040071334/230-225	LV-10.16.23-B-N230-225	230	225
040071334/225-220	LV-10.16.23-B-N225-220	225	220
040071334/220-215	LV-10.16.23-B-N220-215	220	215
040071334/215-210	LV-10.16.23-B-N215-210	215	210
040071334/210-205	LV-10.16.23-B-N210-205	210	205
040071334/205-200	LV-10.16.23-B-N205-200	205	200
040071334/200-195	LV-10.16.23-B-N200-195	200	195
040071334/195-190	LV-10.16.23-B-N195-190	195	190
040071334/190-185	LV-10.16.23-B-N190-185	190	185
040071334/185-180	LV-10.16.23-B-N185-180	185	180
040071334/180-175	LV-10.16.23-B-N180-175	180	175
040071334/175-170	LV-10.16.23-B-N175-170	175	170
040071334/170-165	LV-10.16.23-B-N170-165	170	165
040071334/165-160	LV-10.16.23-B-N165-160	165	160
040071334/160-155	LV-10.16.23-B-N160-155	160	155
040071334/155-150	LV-10.16.23-B-N155-150	155	150
040071334/150-145	LV-10.16.23-B-N150-145	150	145
040071334/145-140	LV-10.16.23-B-N145-140	145	140
040071334/140-135	LV-10.16.23-B-N140-135	140	135
040071334/135-130	LV-10.16.23-B-N135-130	135	130
040071334/130-125	LV-10.16.23-B-N130-125	130	125
040071334/125-120	LV-10.16.23-B-N125-120	125	120

Sign. and date

Copy inv. No.

Repl. Inv. No.

Sign. and date

Orig. Inv. No.

					Art.									
					LV-10.16.23-B - 040071334 sloped 0.5%									
Rev.	Sheet	Doc. No.	Sign.	Data	<table border="1"> <tr> <th>Let.</th> <th>Weight</th> <th>Scale</th> </tr> <tr> <td></td> <td></td> <td>1:5</td> </tr> <tr> <td colspan="2">Sheet</td> <td>Sheets 1</td> </tr> </table>	Let.	Weight	Scale			1:5	Sheet		Sheets 1
Let.	Weight	Scale												
		1:5												
Sheet		Sheets 1												
					Concrete channel BetoMax Drive with grating slotted Load Class D									
					Concrete, Steel, Ductile Cast Iron									

