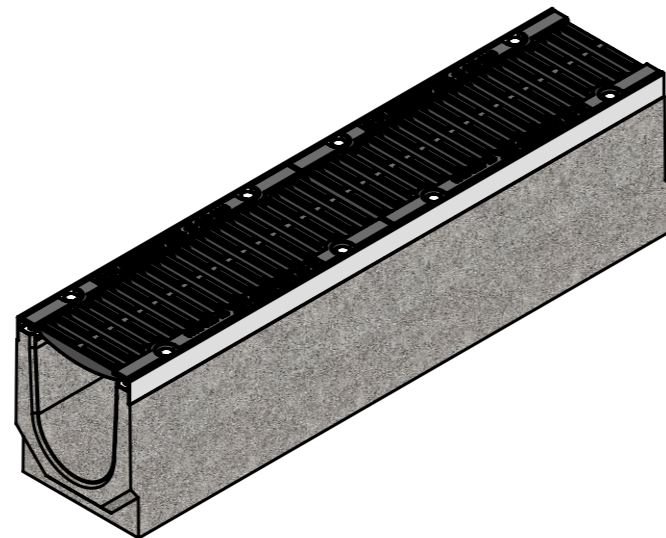
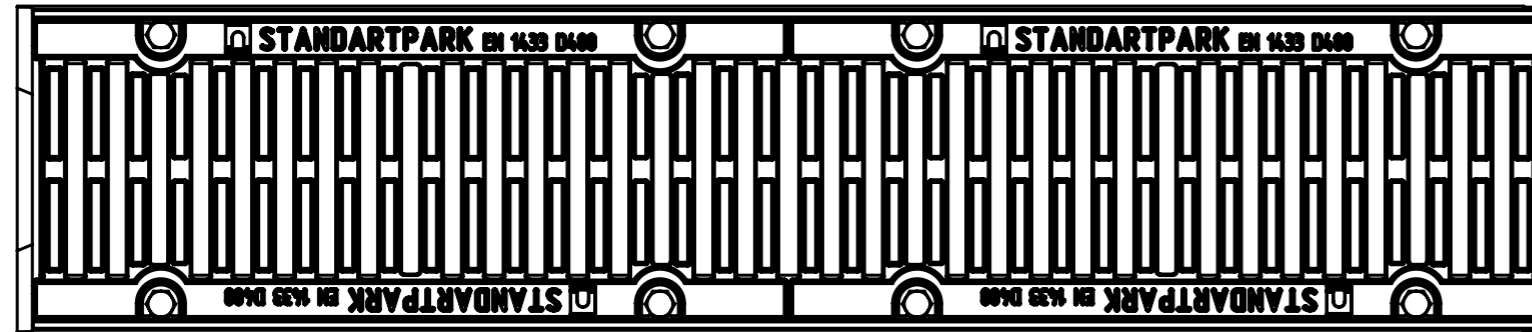
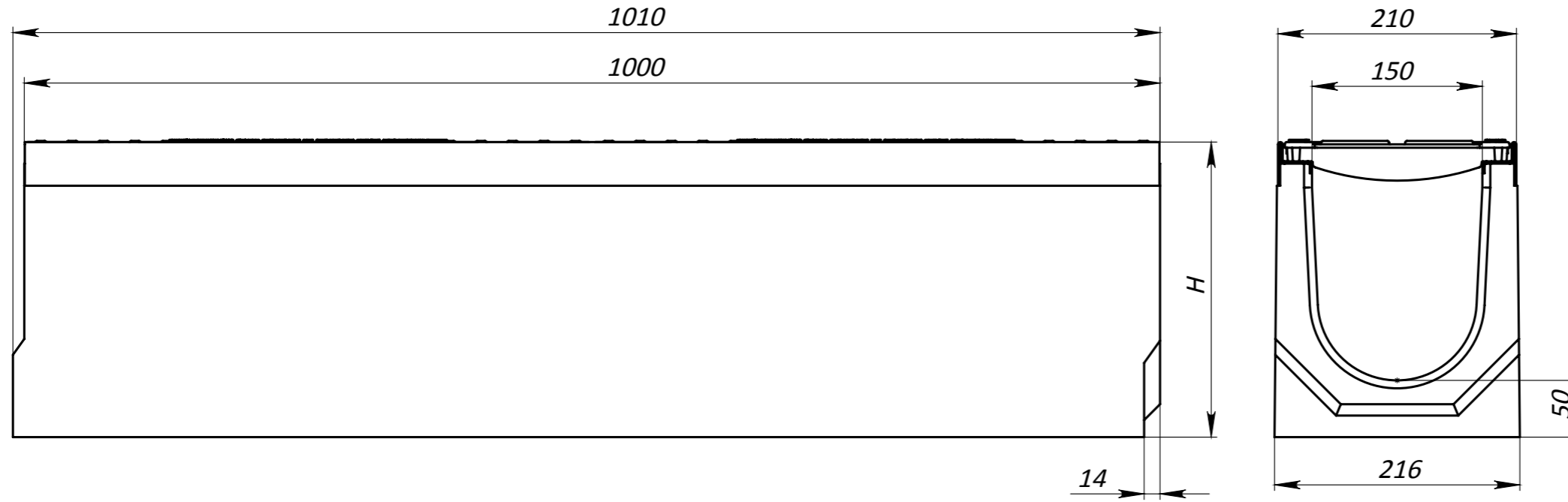


LV-15.21.31-B 042071334

Primary Usage

Reference No.



1. Area of water intake slots 618 sq cm
2. Deviation of the actual weight of the nominal can be up to 10%

Article	Name	H, mm
042071334/310	LV-15.21.31-B-K310	310
042071334/305	LV-15.21.31-B-K305	305
042071334/300	LV-15.21.31-B-K300	300
042071334/295	LV-15.21.31-B-K295	295
042071334/290	LV-15.21.31-B-K290	290
042071334/285	LV-15.21.31-B-K285	285
042071334/280	LV-15.21.31-B-K280	280
042071334/275	LV-15.21.31-B-K275	275
042071334/270	LV-15.21.31-B-K270	270
042071334/265	LV-15.21.31-B-K265	265
042071334/260	LV-15.21.31-B-K260	260
042071334/255	LV-15.21.31-B-K255	255
042071334/250	LV-15.21.31-B-K250	250
042071334/245	LV-15.21.31-B-K245	245
042071334/240	LV-15.21.31-B-K240	240
042071334/235	LV-15.21.31-B-K235	235
042071334/230	LV-15.21.31-B-K230	230
042071334/225	LV-15.21.31-B-K225	225
042071334/220	LV-15.21.31-B-K220	220
042071334/215	LV-15.21.31-B-K215	215
042071334/210	LV-15.21.31-B-K210	210
042071334/205	LV-15.21.31-B-K205	205
042071334/200	LV-15.21.31-B-K200	200
042071334/195	LV-15.21.31-B-K195	195
042071334/190	LV-15.21.31-B-K190	190
042071334/185	LV-15.21.31-B-K185	185
042071334/180	LV-15.21.31-B-K180	180
042071334/175	LV-15.21.31-B-K175	175
042071334/170	LV-15.21.31-B-K170	170
042071334/165	LV-15.21.31-B-K165	165
042071334/160	LV-15.21.31-B-K160	160
042071334/155	LV-15.21.31-B-K155	155

Sign. and date

Copy inv. No.

Repl. Inv. No.

Sign. and date

Orig. Inv. No.

Rev.	Sheet	Doc. No.	Sign.	Data	Art.		
				10.05.17			
<b>LV-15.21.31-B 042071334 cascade</b>							
<b>Concrete Channel BetoMax Drive with grating slotted Load Class D</b>					Let.	Weight	Scale
							1:5
					Sheet	Sheets 1	
Concrete, Steel, Ductile Cast Iron							