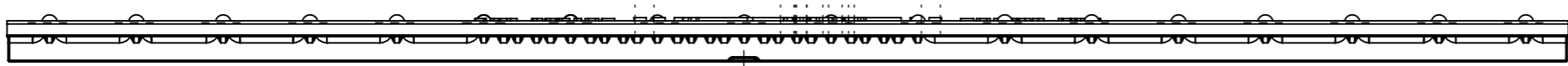
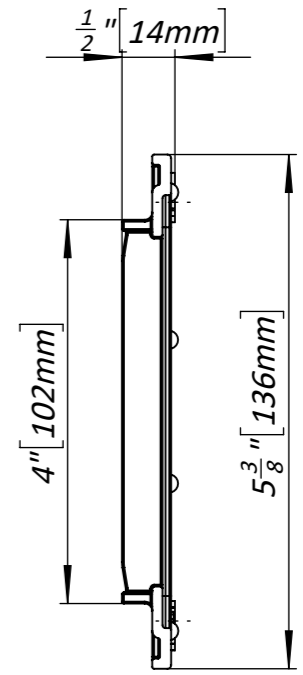
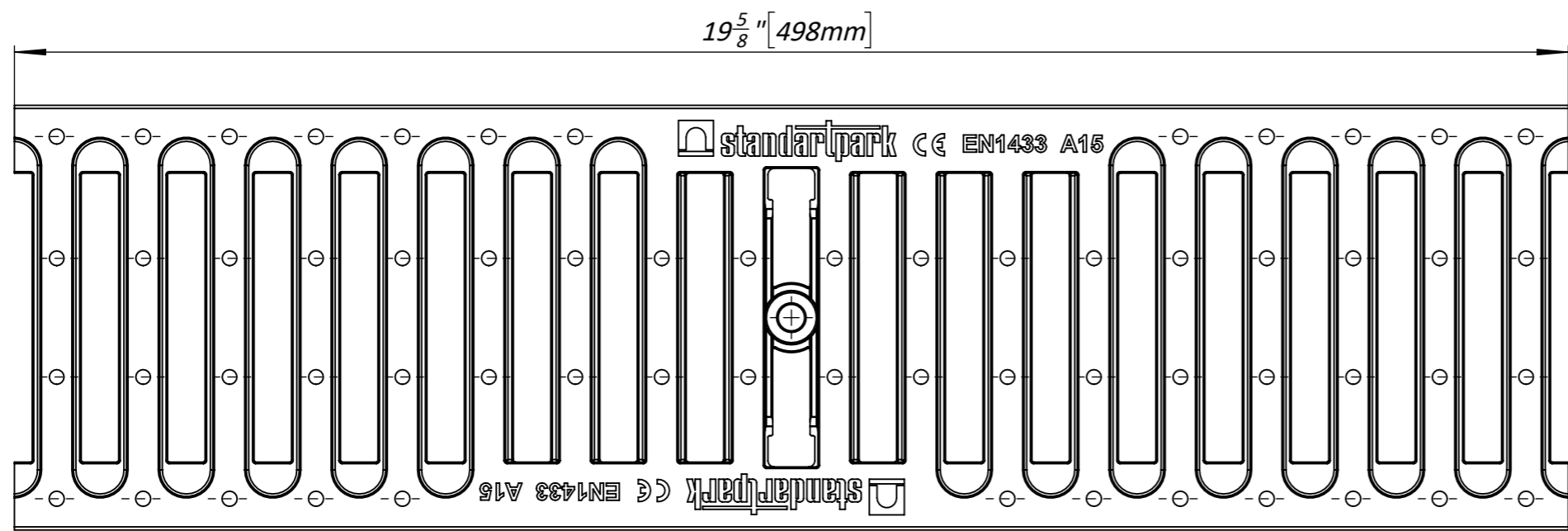


Primary Usage	Reference No.	Sign. and date	Copy inv. No.	Repl. Inv. No.	Sign. and date	Orig. Inv. No.
---------------	---------------	----------------	---------------	----------------	----------------	----------------

4" Plastic Grating



1. Area of water intake slots 28,52 sq in [184 sq cm]
2. Deviation of the actual weight of the nominal can be up to 10%

					Art. 208019			
					4" Plastic Grating			
					208019	Let.	Weight (lb)	Scale
Rev.	Sheet	Doc. No.	Sign.	Data			0.53	1:2
					Load Classes A		Sheet	Sheets 1
					Plastic			