

LV-10.14.06-P 7011

Primary Usage

Reference No.

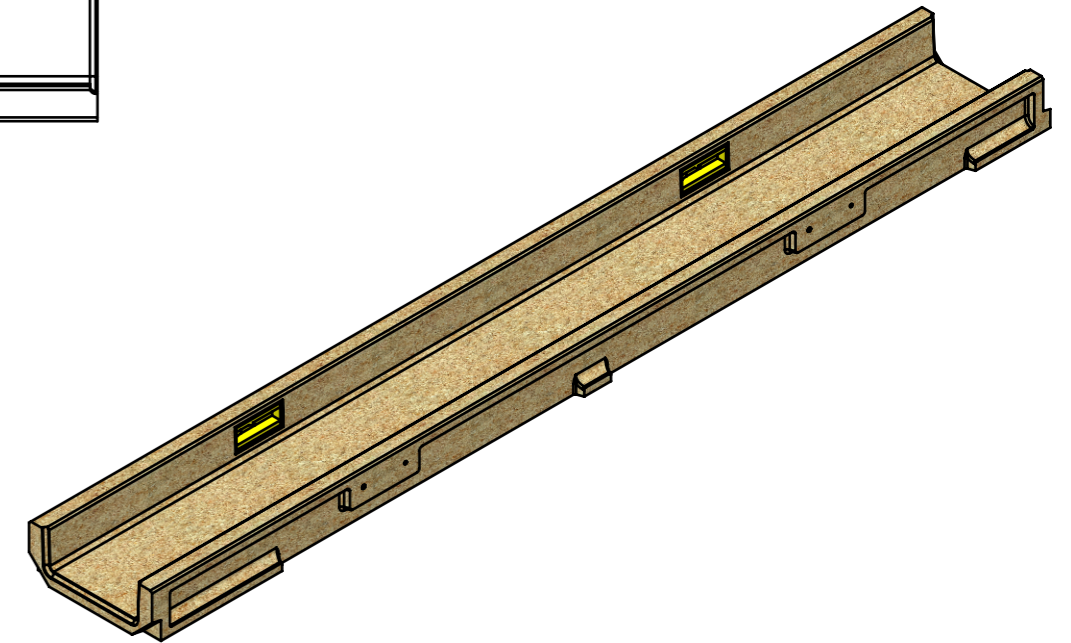
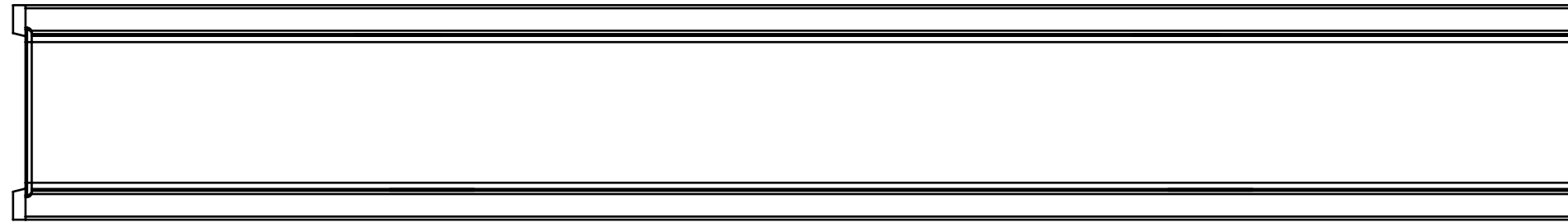
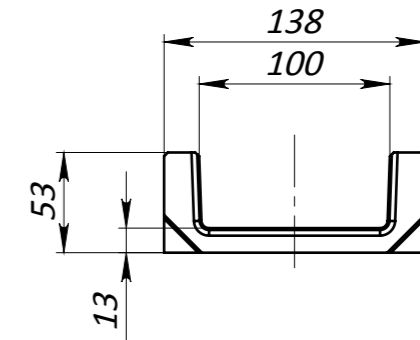
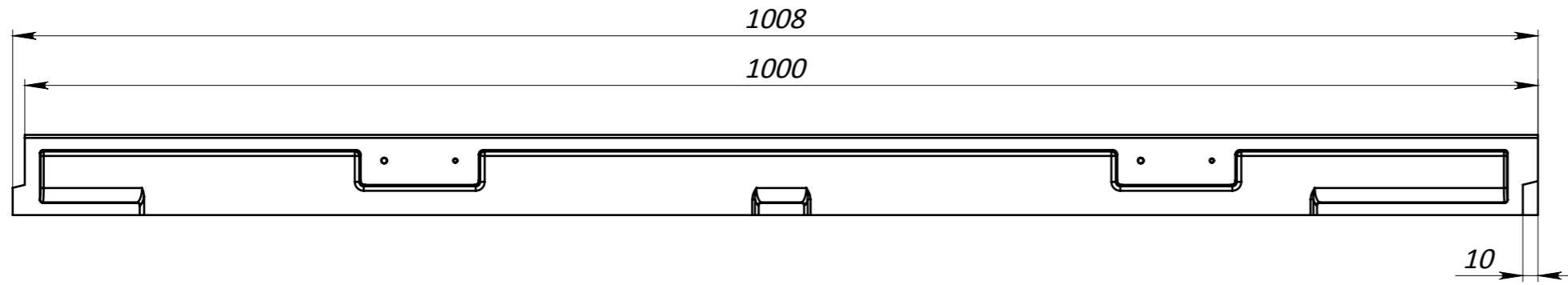
Sign. and date

Copy inv. No.

Repl. Inv. No.

Sign. and date

Orig. Inv. No.



Deviation of the actual weight of the nominal can be up to 8%

					Art.	7011
					LV-10.14.06-P 7011	
					<i>Polymer Concrete</i>	Let.
					<i>Channel CompoMax</i>	Weight
					Load Class C	Scale
						5.87
						1:4
					Sheet	Sheets 1
					<i>Polymer Concrete</i>	