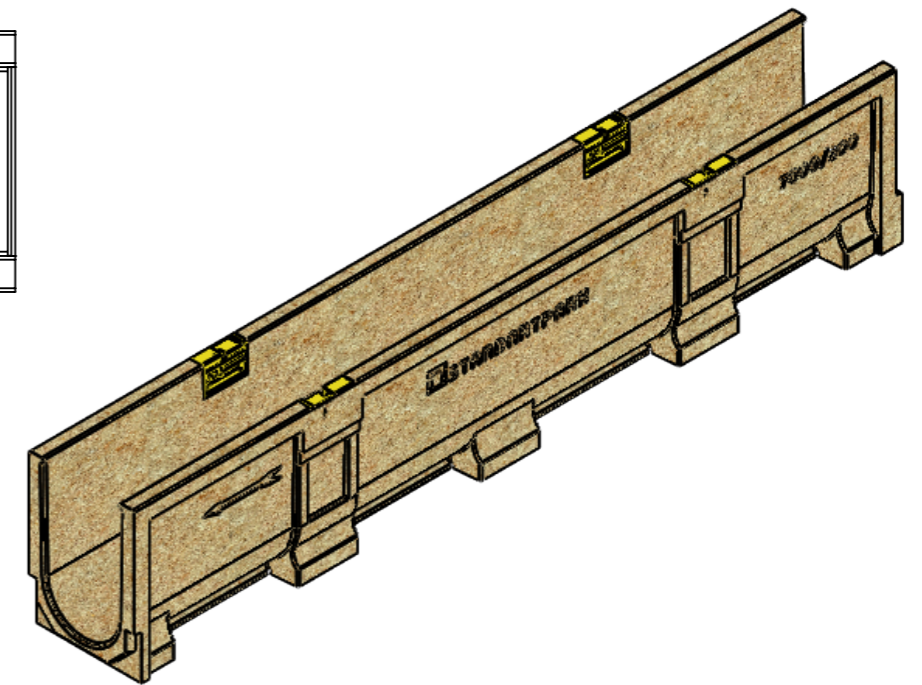
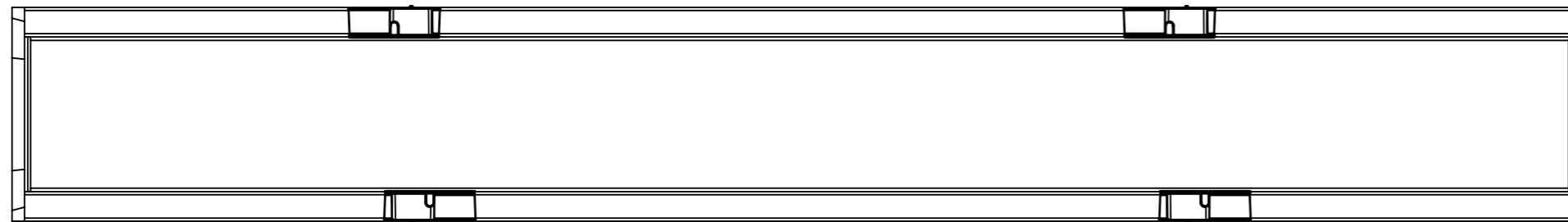
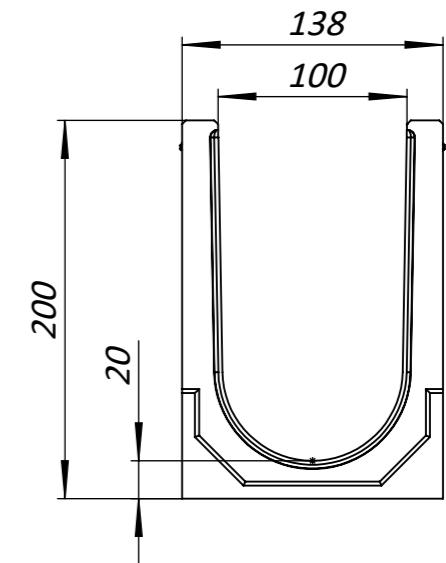
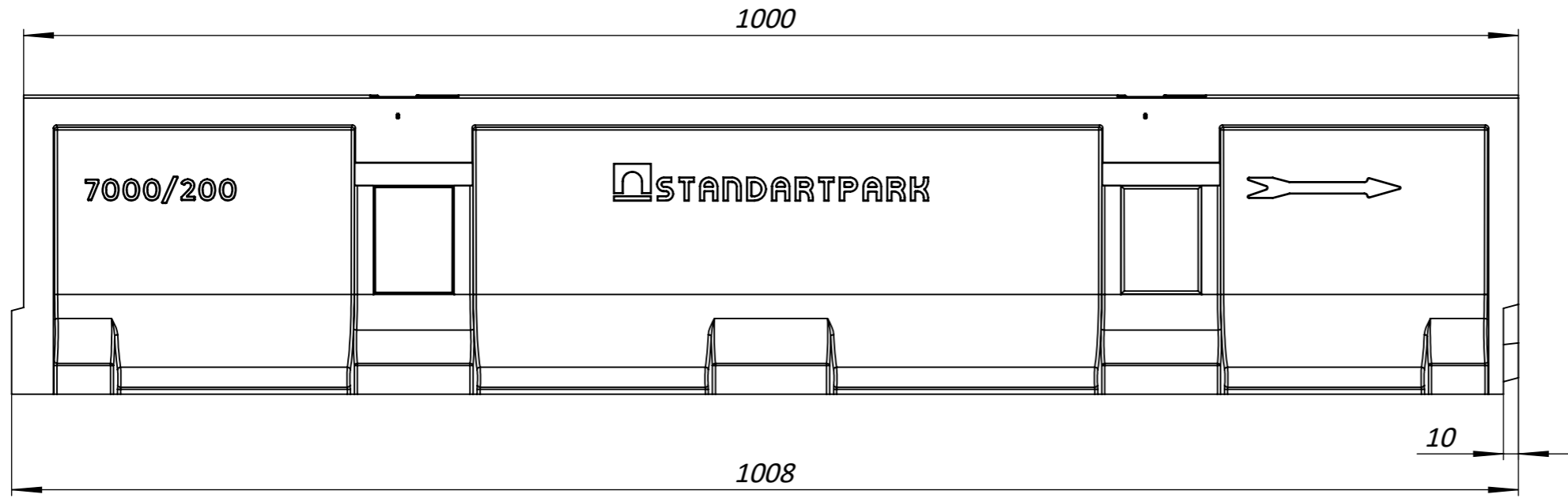


Primary Usage
 Reference No.
 Sign. and date
 Copy inv. No.
 Repl. Inv. No.
 Sign. and date
 Orig. Inv. No.

LV-10.14.20-P 7000/200



Deviation of the actual weight of the nominal can be up to 12%

						Art.	7000/200		
							LV-10.14.20-P 7000/200		
						Let.	Weight	Scale	
Rev.	Sheet	Doc. No.	Sign.	Data			13.56	1:4	
				19.02.20					
							Sheet	Sheets 1	
							Polymer Concrete, Plastic		
							STANDARTPARK		