

LV-10.14.15-P 7000/150

Primary Usage

Reference No.

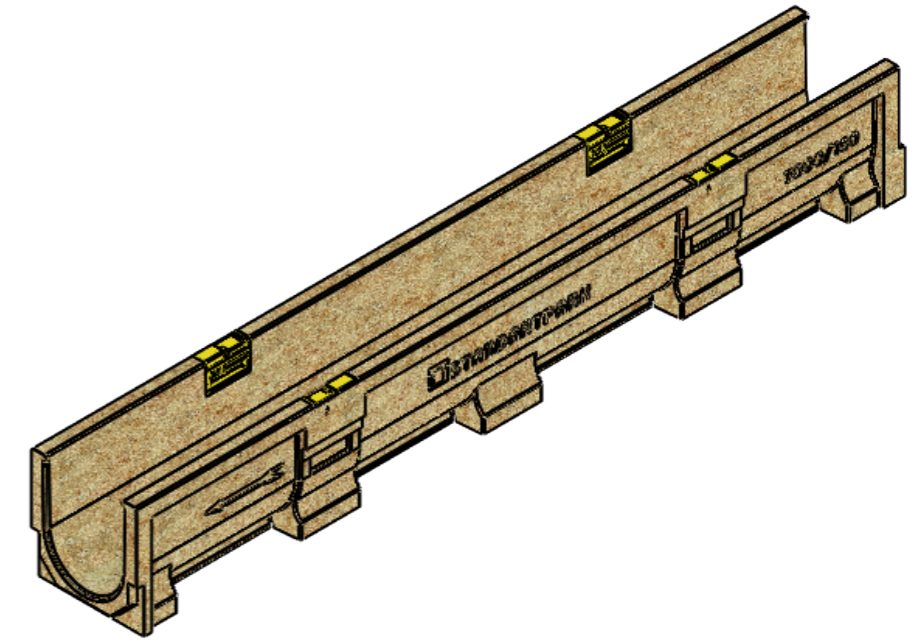
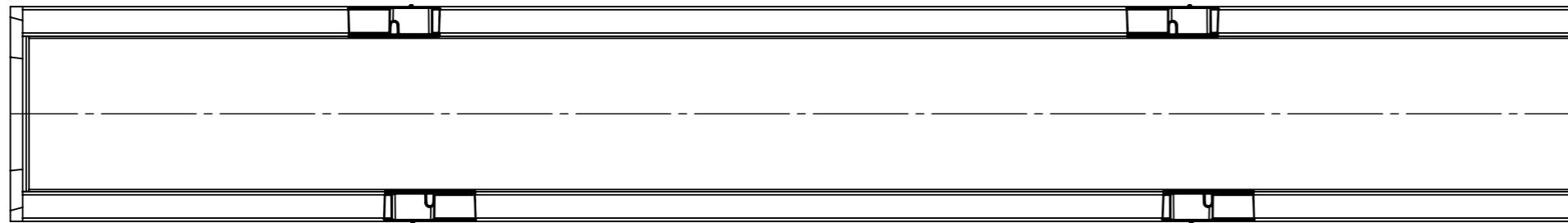
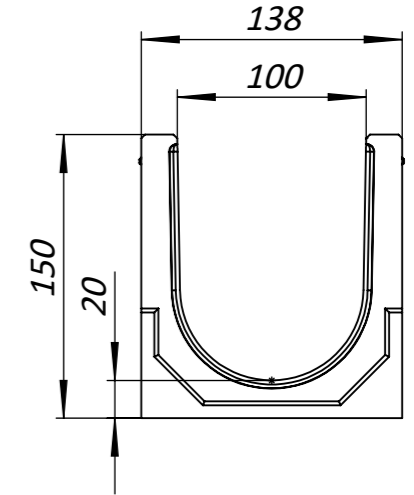
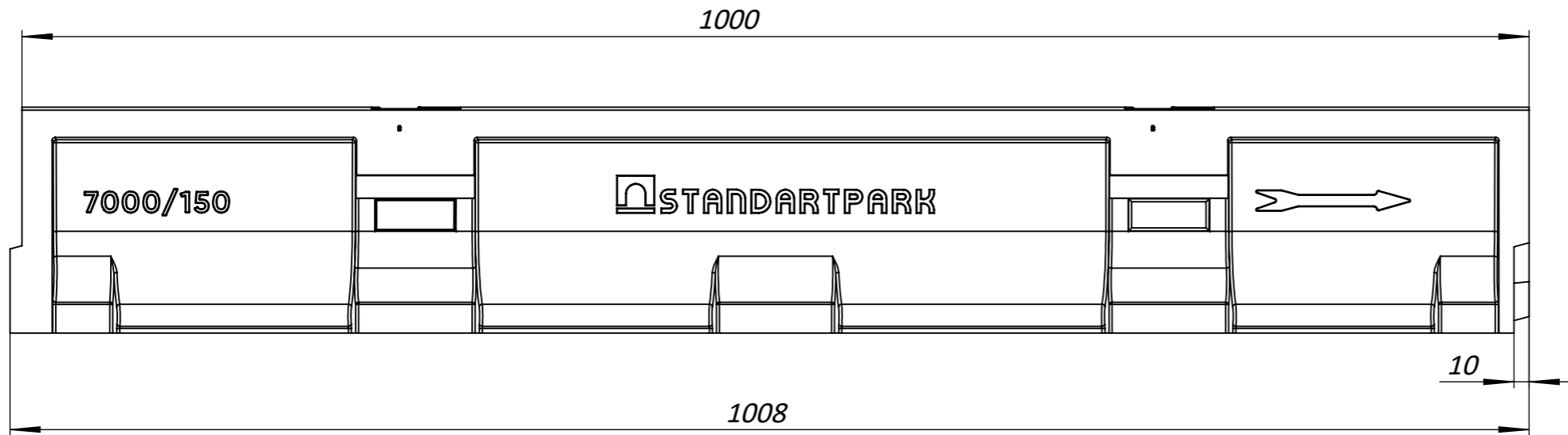
Sign. and date

Copy inv. No.

Repl. Inv. No.

Sign. and date

Orig. Inv. No.



Deviation of the actual weight of the nominal can be up to 12%

					Art. 7000/150		
					LV-10.14.15-P 7000/150		
					Polymer Concrete Channel Basic DN100 H150		
					Load Class C		
					Polymer Concrete, Plastic		
					STANDARTPARK		
					Size A3		

Rev.	Sheet	Doc. No.	Sign.	Data	Let.	Weight	Scale
				19.02.20		10.84	1:4
					Sheet	Sheets 1	