

LV-10.14.08-P 7000/80

Primary Usage

Reference No.

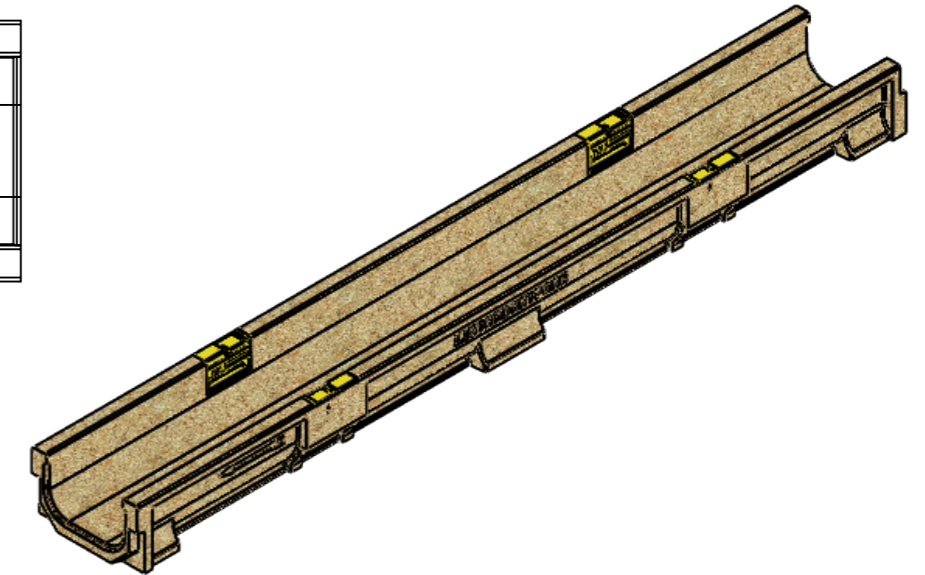
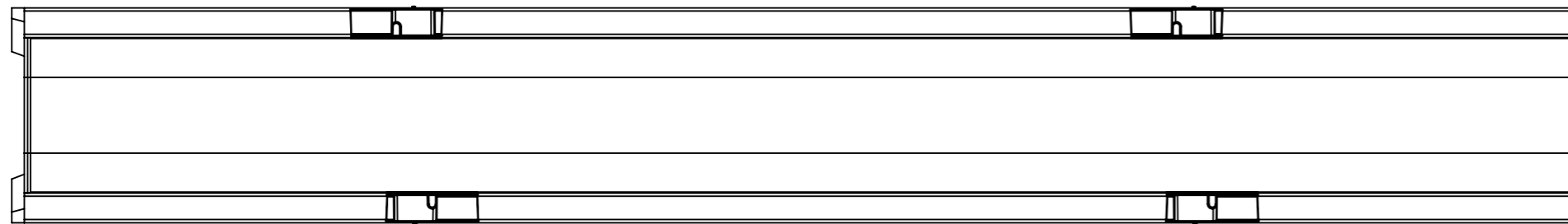
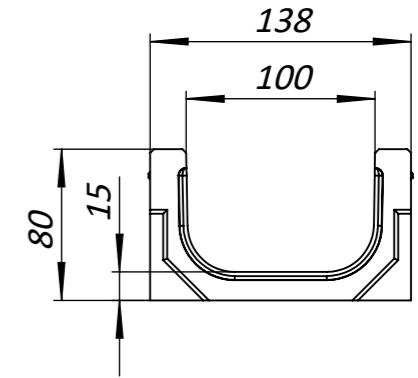
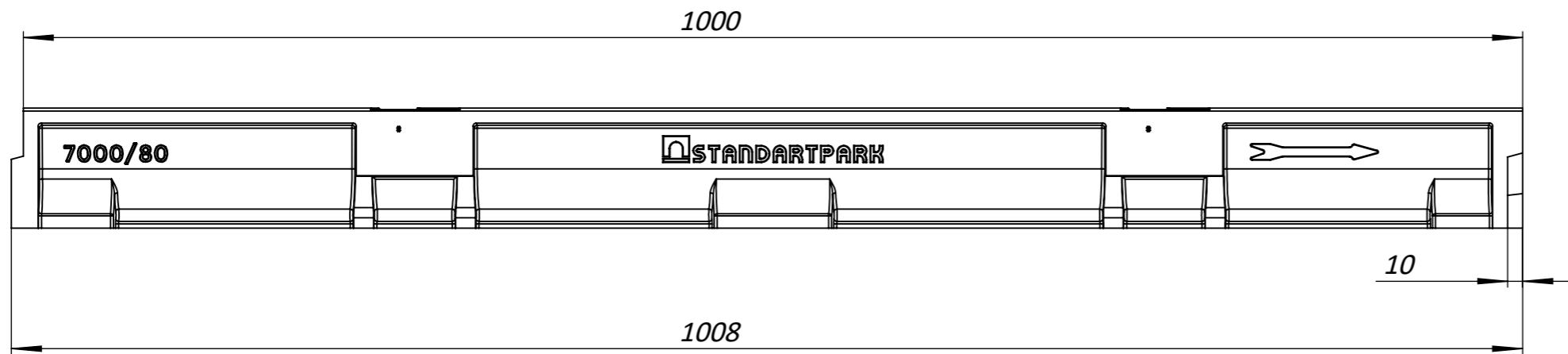
Sign. and date

Copy inv. No.

Repl. Inv. No.

Sign. and date

Orig. Inv. No.



Deviation of the actual weight of the nominal can be up to 12%

					Art.	7000/80
					<b>LV-10.14.08-P 7000/80</b>	
					<i>Polymer Concrete Channel</i>	Let.
					<i>Basic DN100 H80</i>	Weight
					<b>Load Class C</b>	Scale
						1:4
					Sheet	Sheets 1
					<i>Polymer Concrete, Plastic</i>	