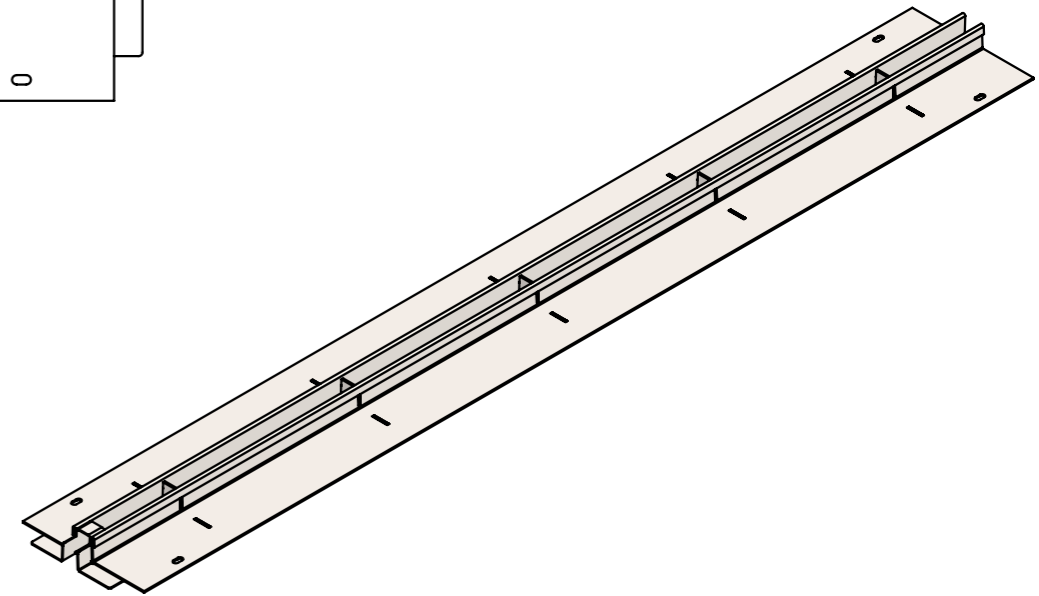
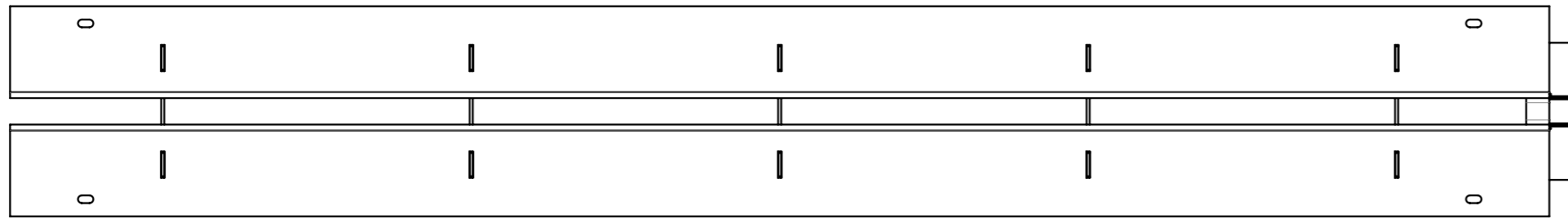
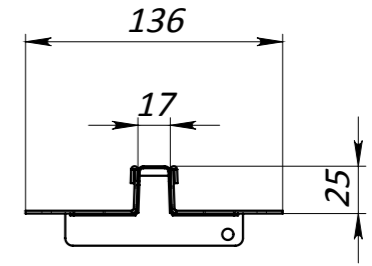
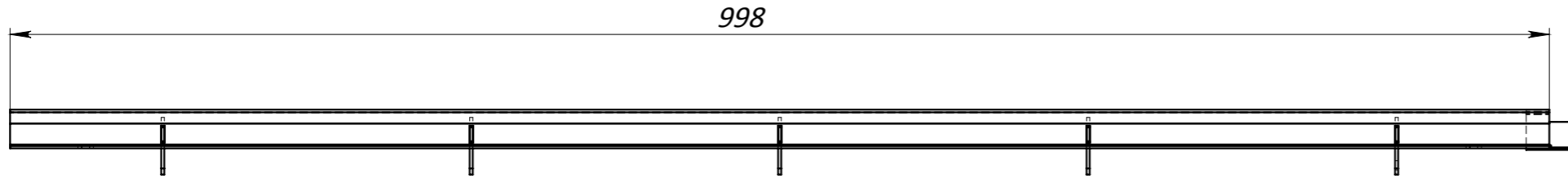


Primary Usage
Reference No.
Sign. and date
Copy inv. No.
Repl. Inv. No.
Sign. and date
Orig. Inv. No.

NSHCH-10.14.100-NS 2097-1T-25



- 1. Area of water intake slots 170 sq cm
- 2. Deviation of the actual weight of the nominal can be up to 10%

					Art. 2097-1T-25			
					<b>NSHCH-10.14.100-NS 2097-1T-25</b>			
Rev.	Sheet	Doc. No.	Sign.	Data	Stainless Steel Micro Slot Drain	Let.	Weight	Scale
				25.07.18			2.34	1:4
					Sheet		Sheets 1	
					Stainless Steel			