

DP-30.30.30-PP 8370-CH

Primary Usage

Reference No.

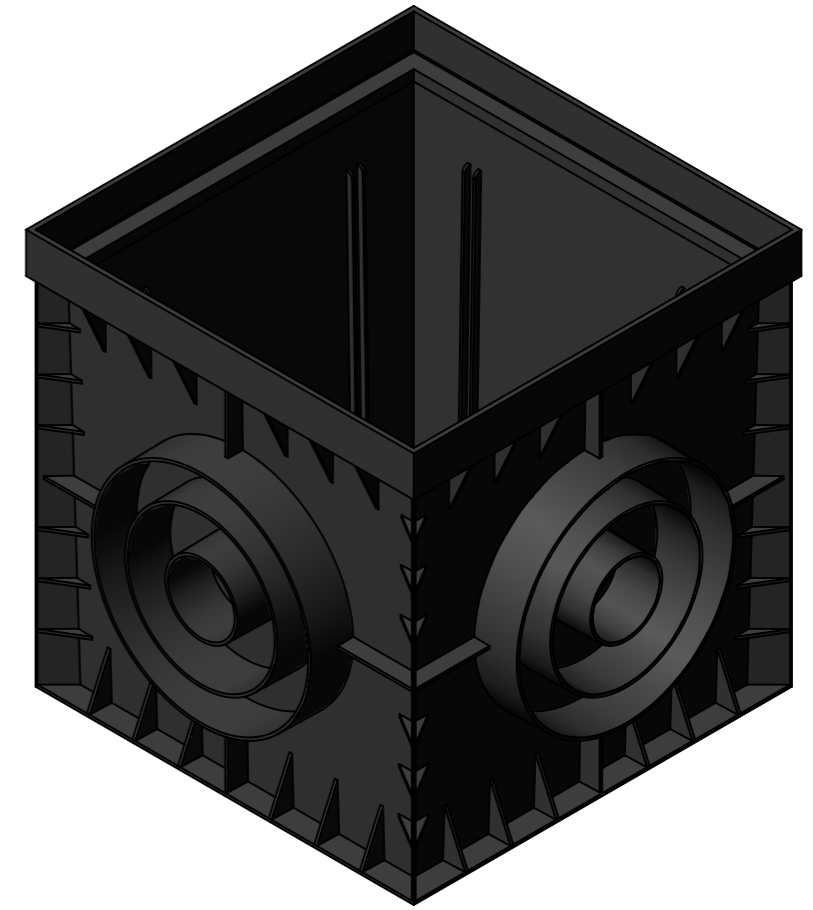
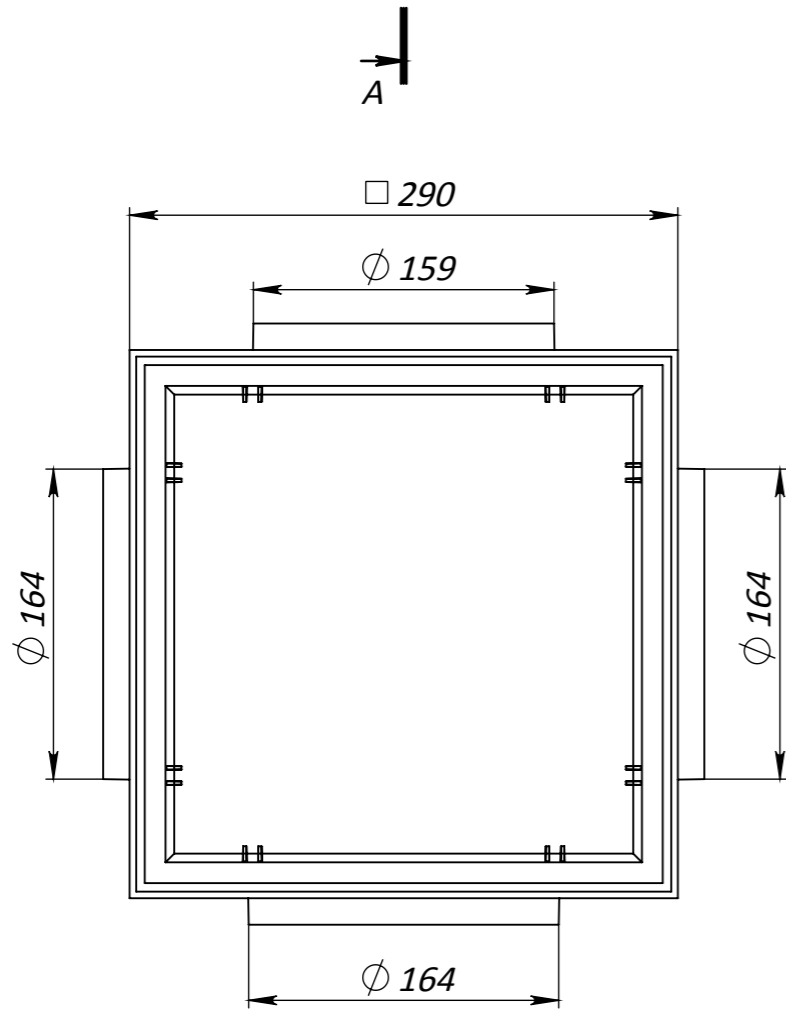
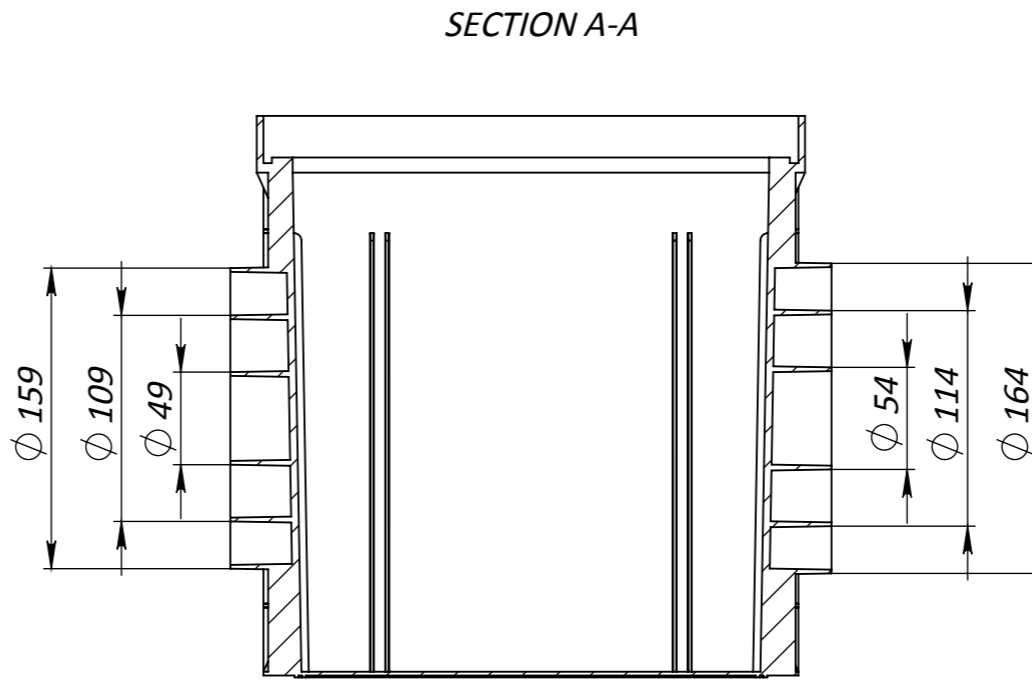
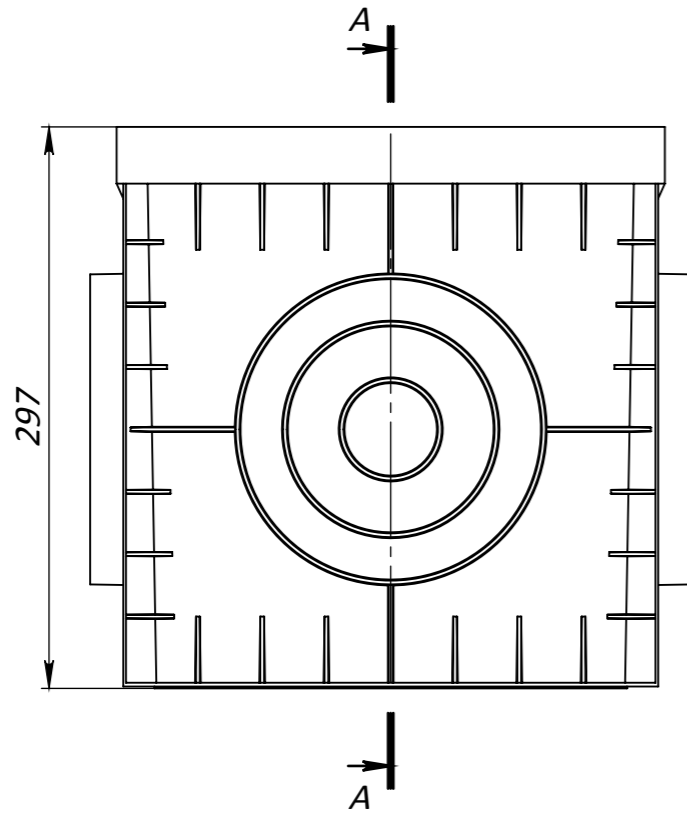
Sign. and date

Copy inv. No.

Repl. Inv. No.

Sign. and date

Orig. Inv. No.



					Art.	8370-CH				
					<b>DP-30.30.30-PP 8370-CH</b>					
					Plastic Catch Basin			Let.	Weight	Scale
									1.8	1:4
								Sheet	Sheets 1	
					Plastic					