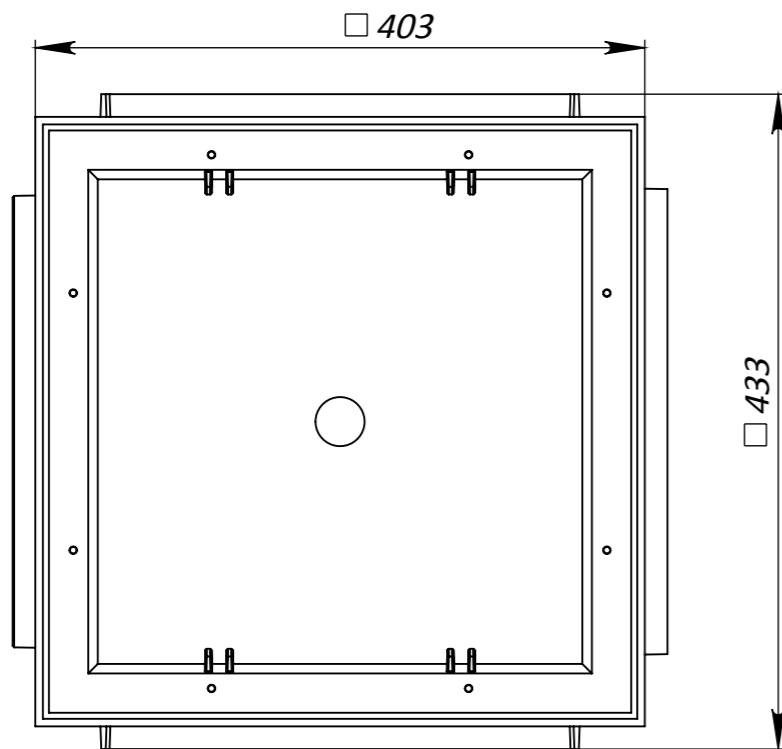
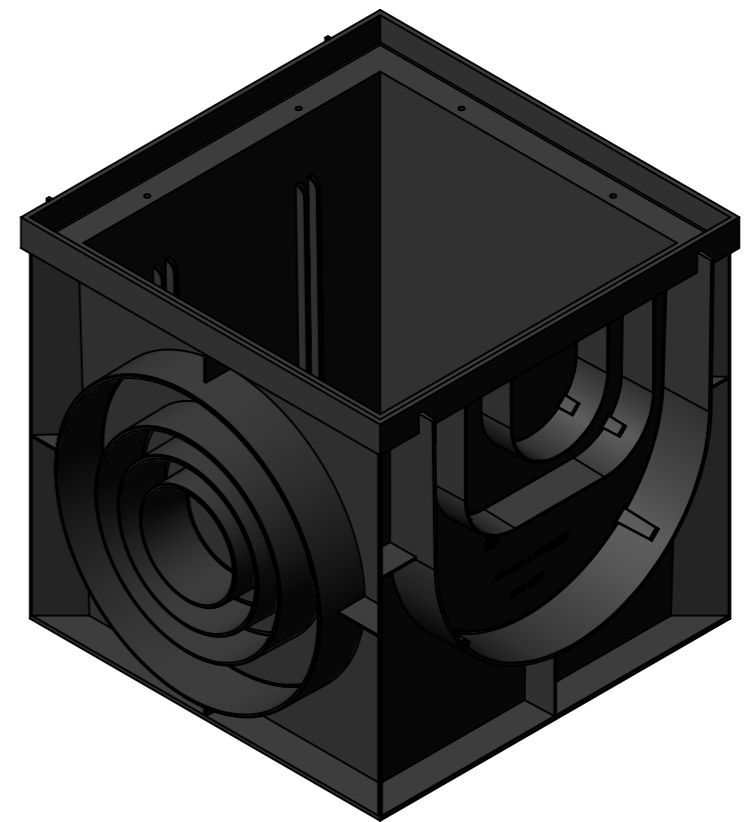
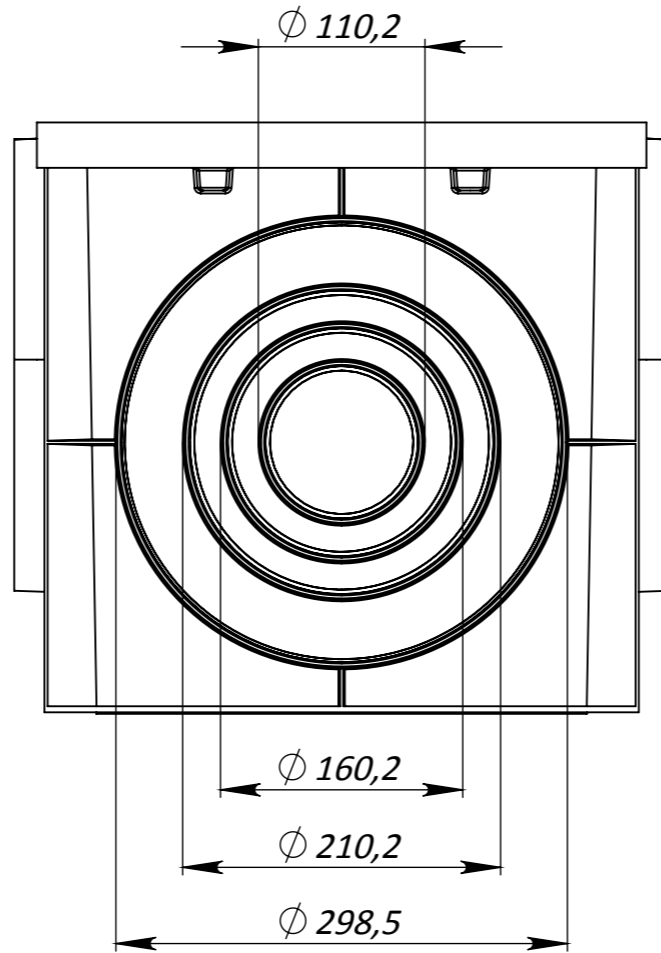
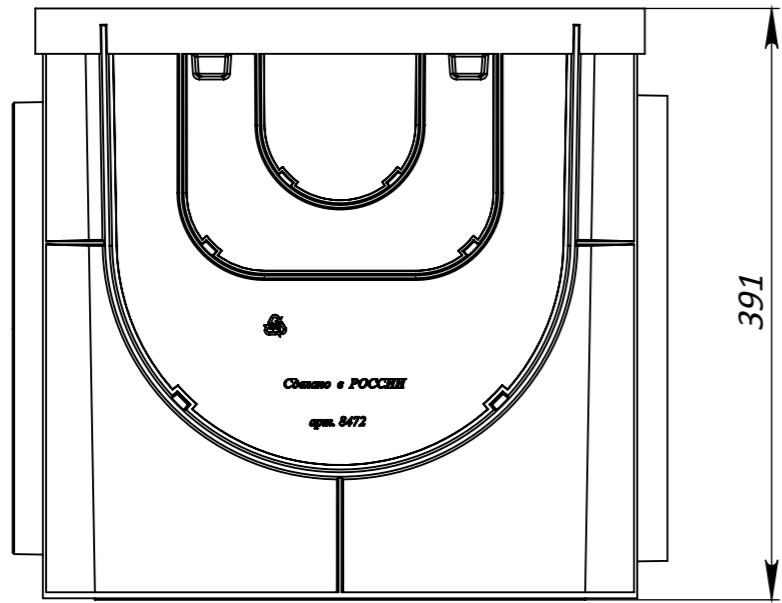


DP-40.40-PP 8472



Primary Usage

Reference No.

Sign. and date

Copy inv. No.

Repl. Inv. No.

Sign. and date

Orig. Inv. No.

							Art.	8472	
							DP-40.40-PP 8472		
							Let.	Weight	Scale
								4.4	1:5
							Sheet	Sheets 1	
							Plastic		
							