

NSHCH-15.19.100-OS 2217-1T-100

Primary Usage

Reference No.

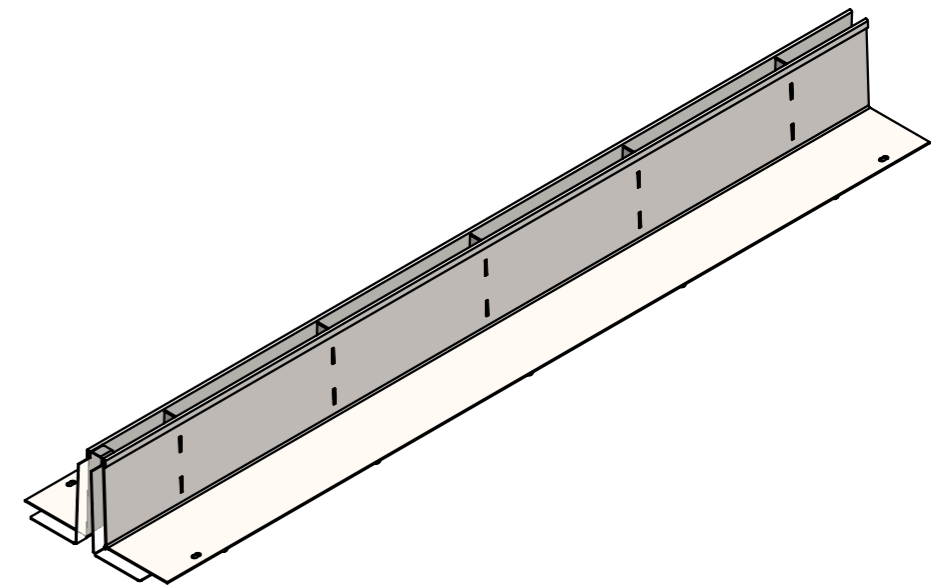
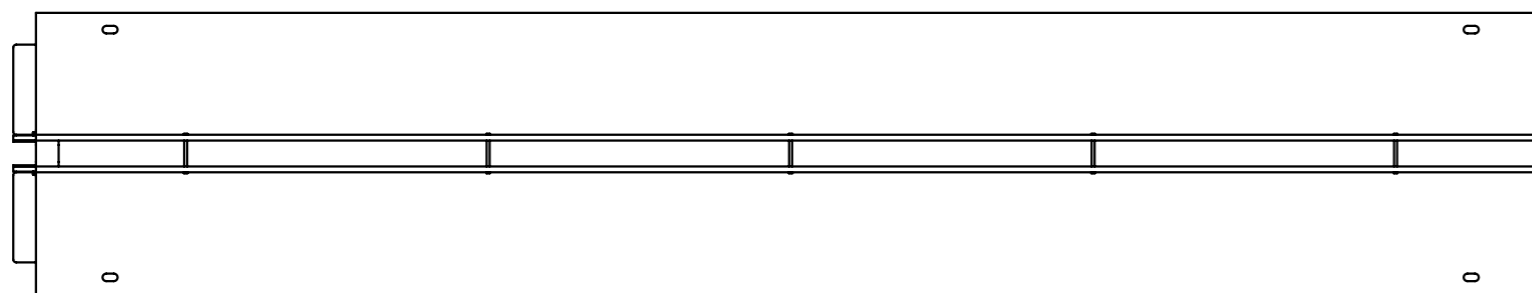
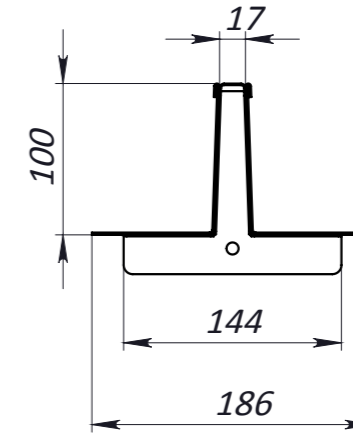
Sign. and date

Copy inv. No.

Repl. Inv. No.

Sign. and date

Orig. Inv. No.



1. Area of water intake slots 170 sq cm
2. Deviation of the actual weight of the nominal can be up to 10%

					Art. 2217-1T-100
					NSHCH-15.19.100-OS 2217-1T-100
					Galvanized Steel Slot Drain
					Let. Weight Scale
					5.01 1:5
					Sheet Sheets 1
					Galvanized Steel
					