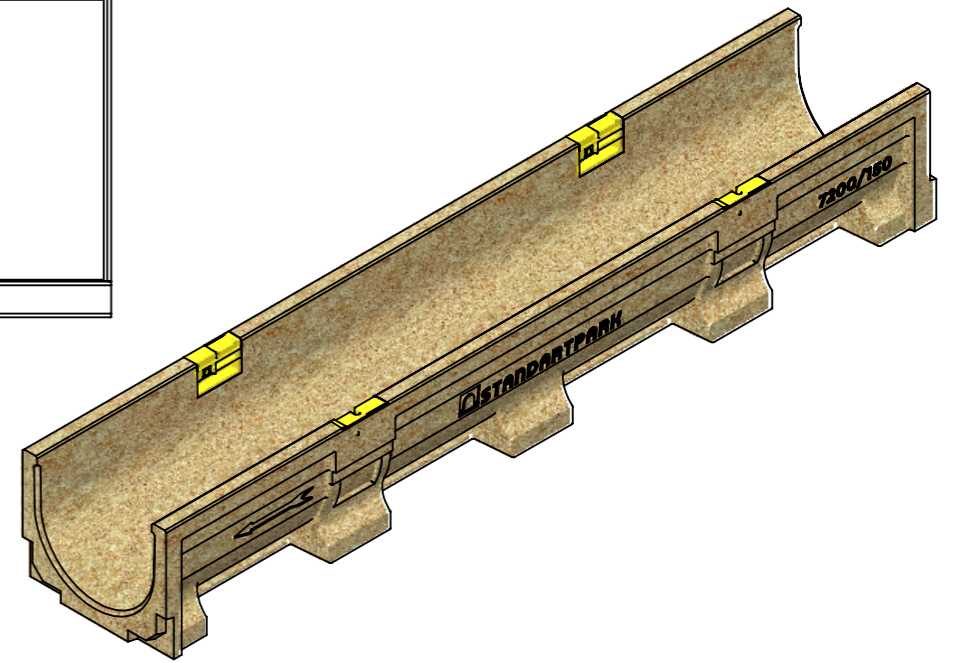
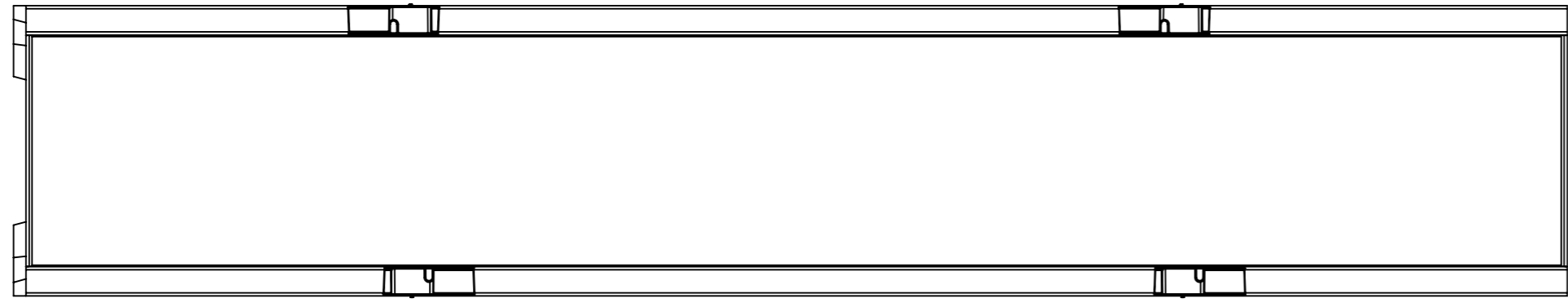
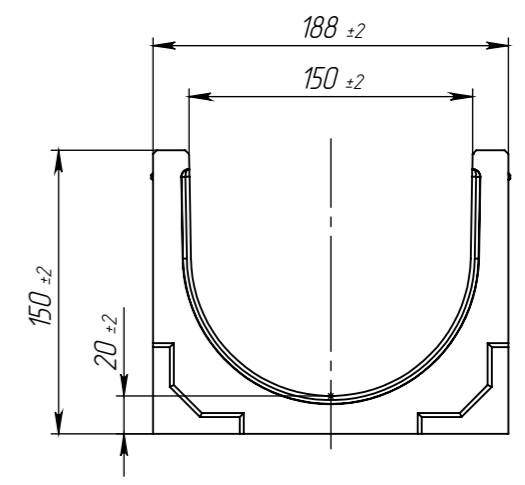
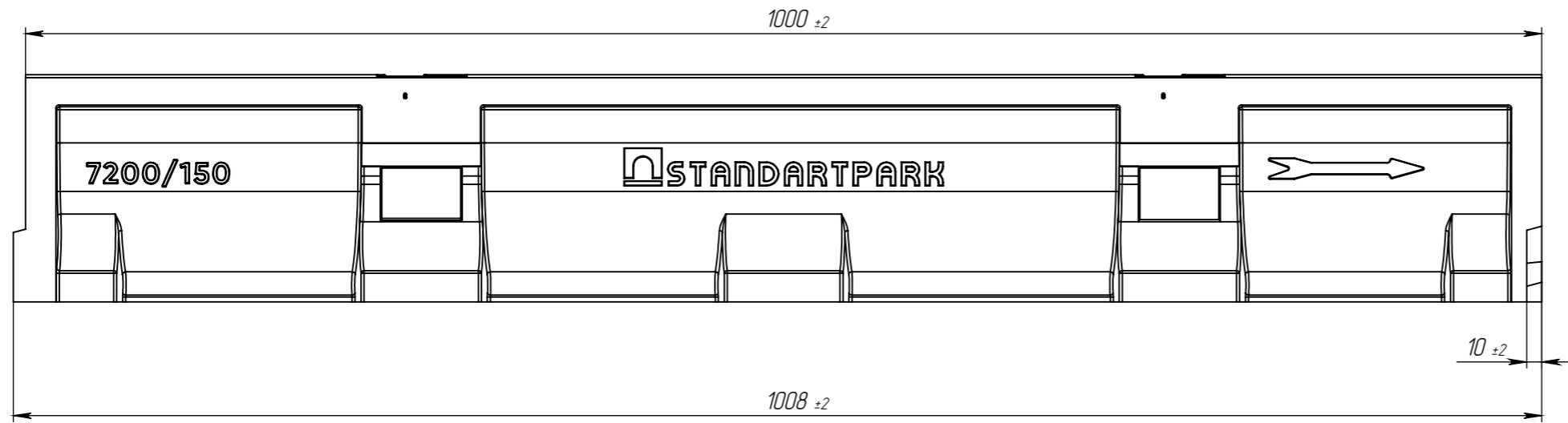


Primary Usage
Reference No.
Sign. and date
Copy inv. No.
Repl. Inv. No.
Sign. and date
Orig. Inv. No.

LV-15.19.15-P 7200/150



1. Deviation of the actual weight of the nominal can be up to 12%

					Art.	7200/150				
					LV-15.19.15-P 7200/150					
					Polymer Concrete Channel Basic DN150 H150 Load Class C			Let.	Weight	Scale
									13.92	1:4
								Sheet	Sheets 1	
					Polymer, Plastic					