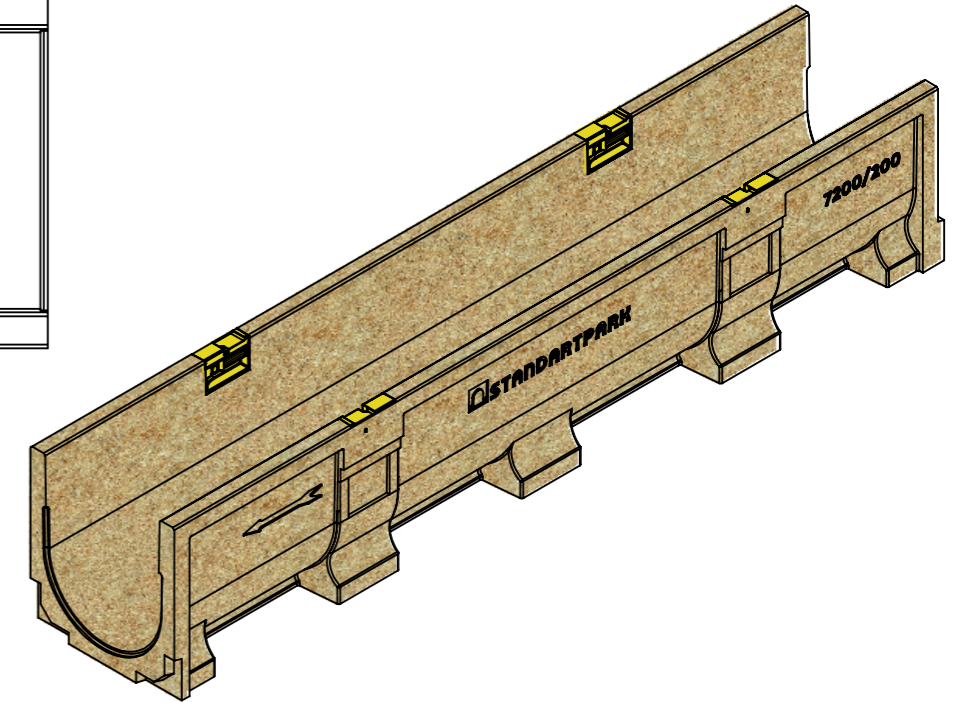
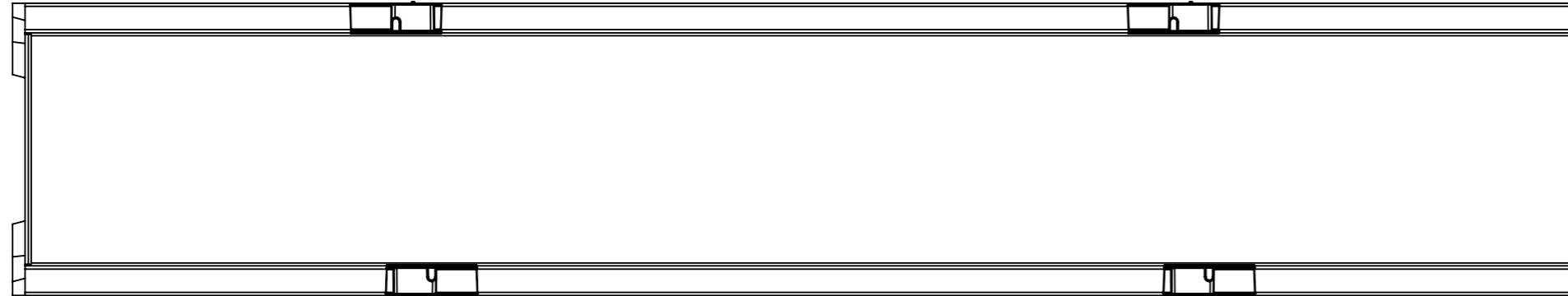
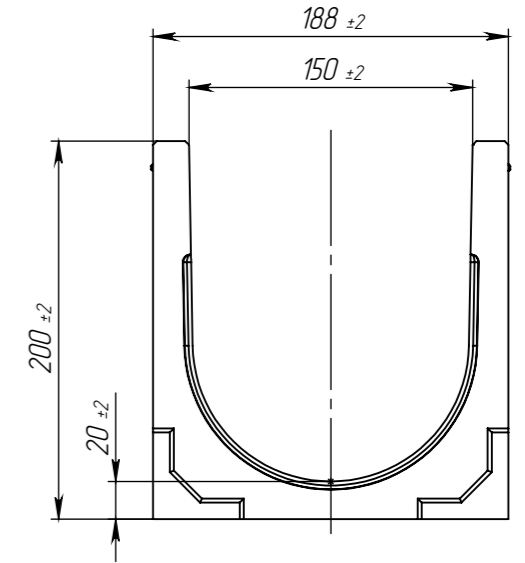
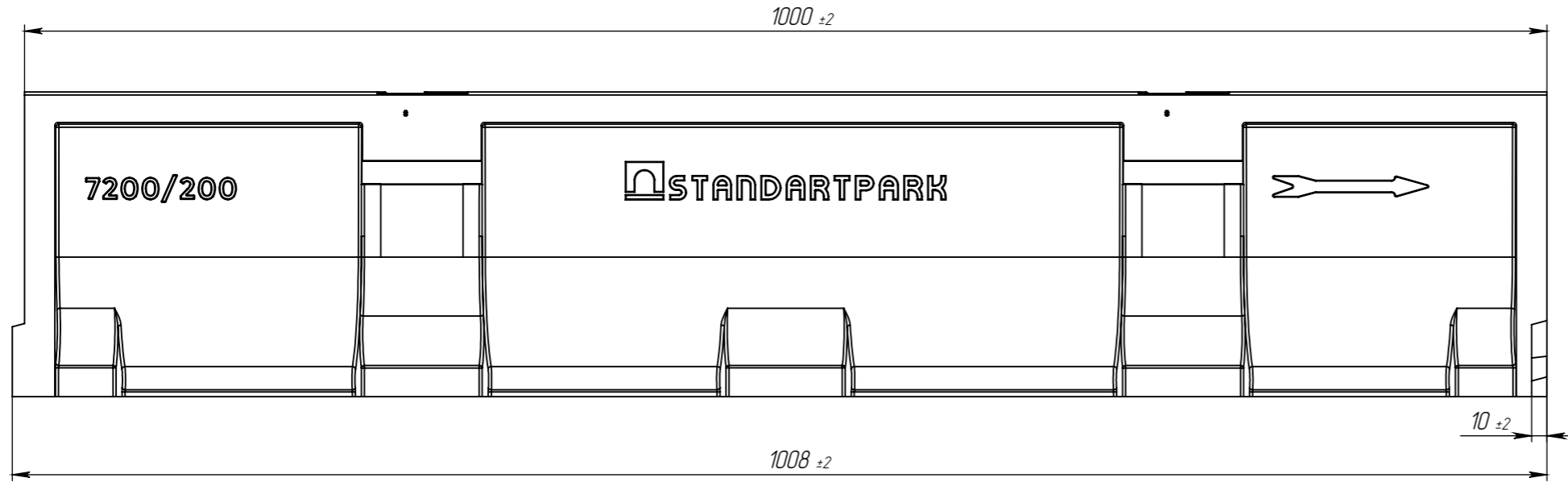


Primary Usage  
Reference No.  
Sign. and date  
Copy inv. No.  
Repl. Inv. No.  
Sign. and date  
Orig. Inv. No.

LV-15.19.20-P 7200/200



1. Deviation of the actual weight of the nominal can be up to 12%

						Art.	7200/200	
						<b>LV-15.19.20-P 7200/200</b>		
						Let.	Weight	Scale
							16.53	1:4
						Sheet	Sheets 1	
						Polymer Concrete, Plastic		