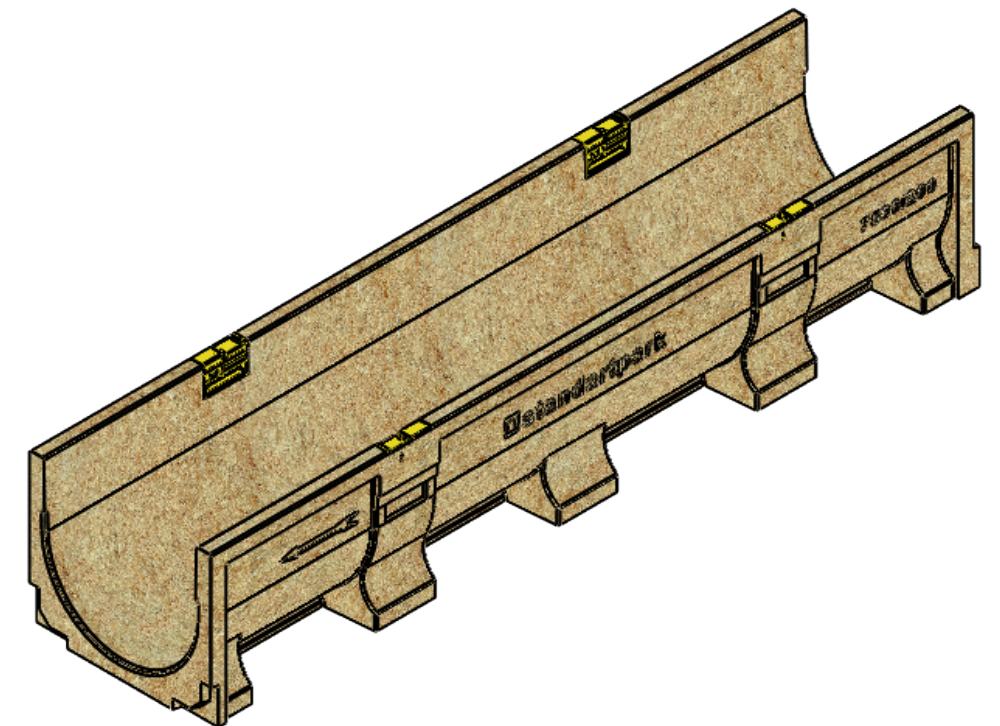
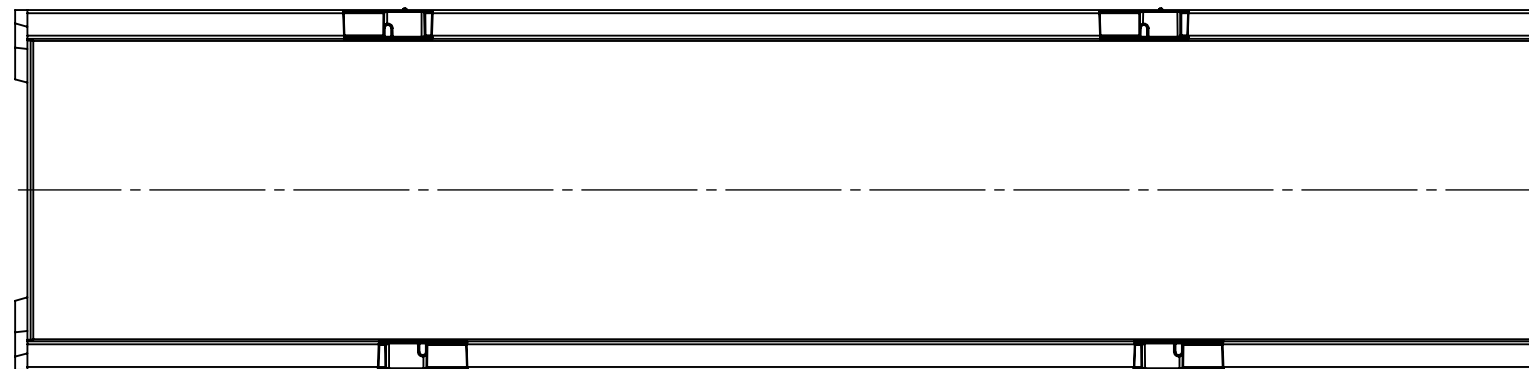
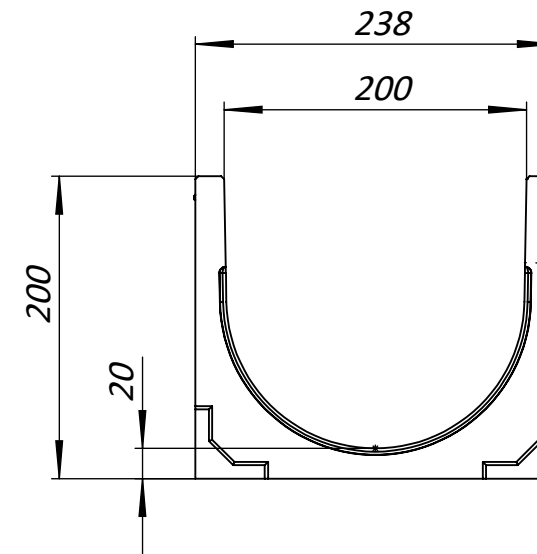
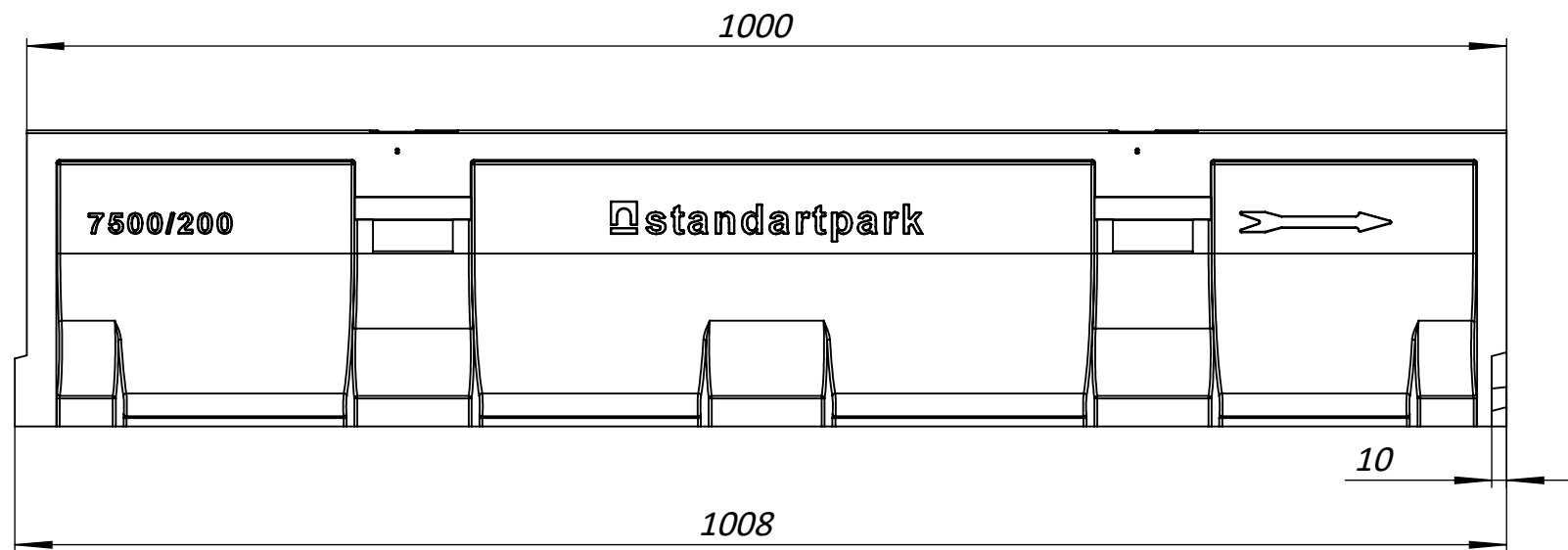


Primary Usage  
 Reference No.  
 Sign. and date  
 Copy inv. No.  
 Repl. Inv. No.  
 Sign. and date  
 Orig. Inv. No.

LV-20.24.20-P 7500/200



						Art.	7500/200			
							<b>LV-20.24.20-P 7500/200</b>			
							Polymer Concrete Channel Basic DN200 H200 Load Class C			Let.
Rev.	Sheet	Doc. No.	Sign.	Data			20.32	1:5		
						Sheet	Sheets 1			
Polymer Concrete, Plastic										