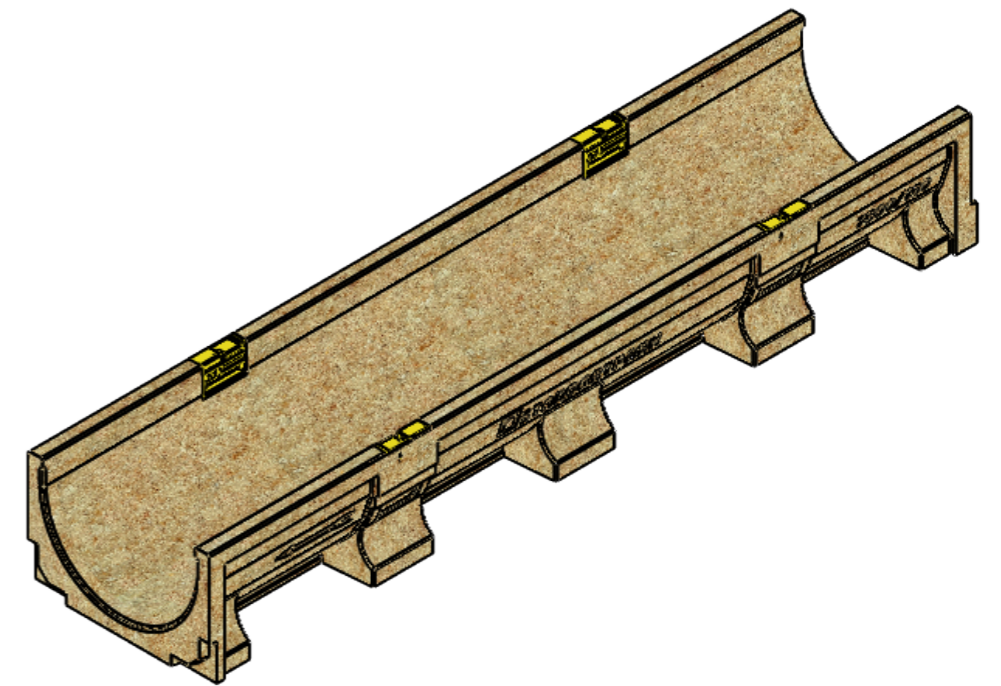
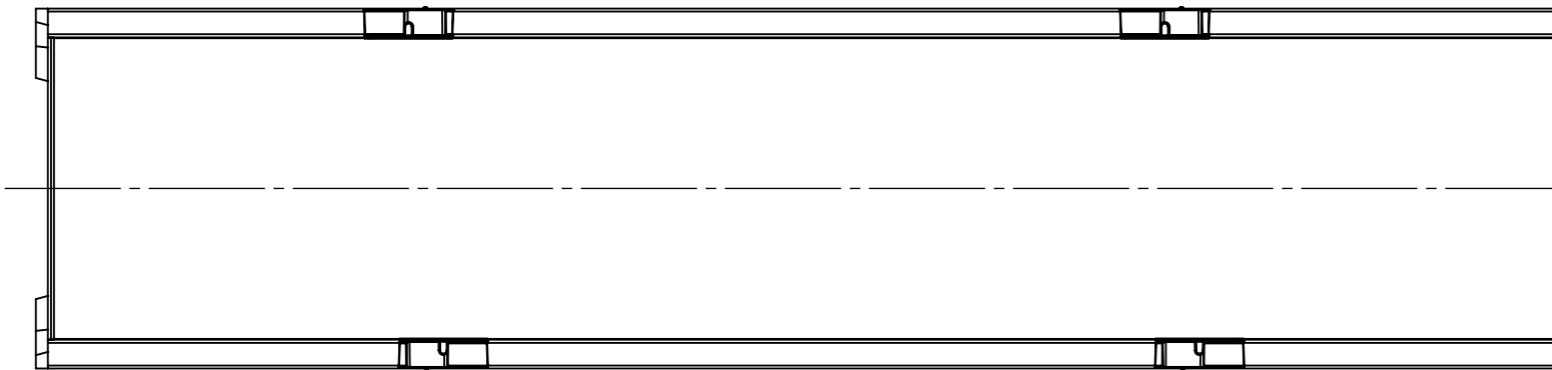
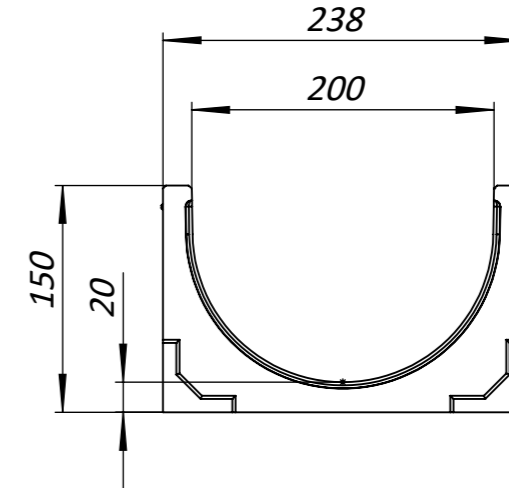
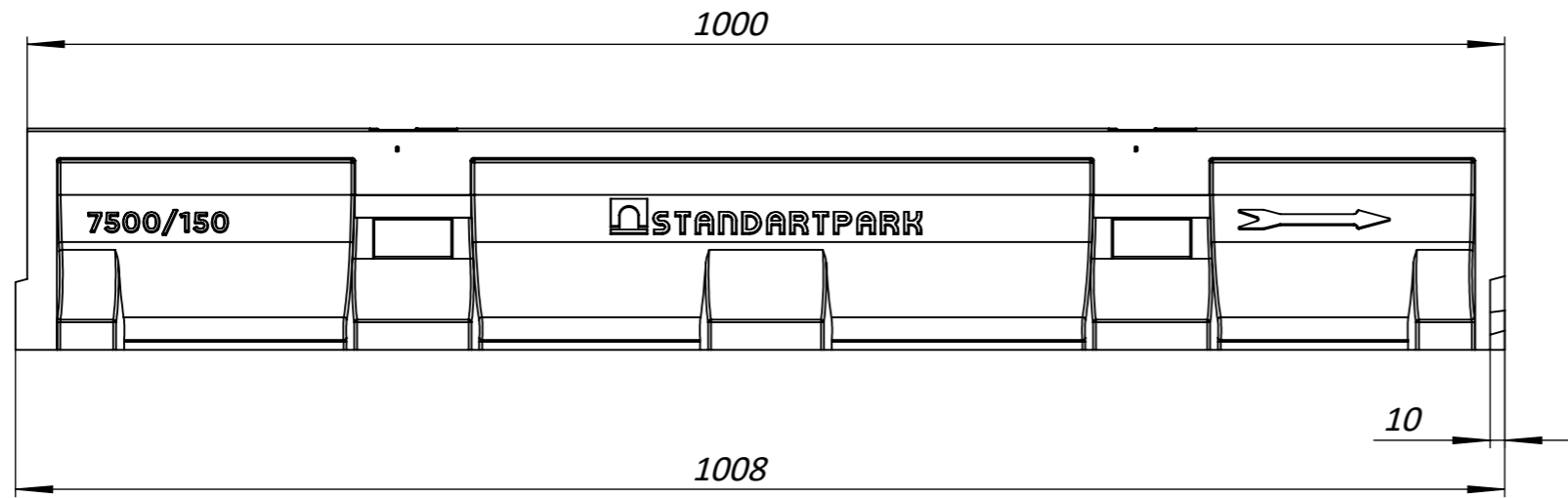


Primary Usage  
Reference No.  
Sign. and date  
Copy inv. No.  
Repl. Inv. No.  
Sign. and date  
Orig. Inv. No.

LV-20.24.15-P 7500/150



						Art. 7500/150
						<b>LV-20.24.15-P 7500/150</b>
						<i>Polymer Concrete Channel Basic DN200 H150 Load Class C</i>
						Let. Weight Scale
						17.55 1:5
						Sheet Sheets 1
						<i>Polymer Concrete, Plastic</i>
						<b>STANDARTPARK</b>