

Primary Usage

Reference No.

Sign. and date

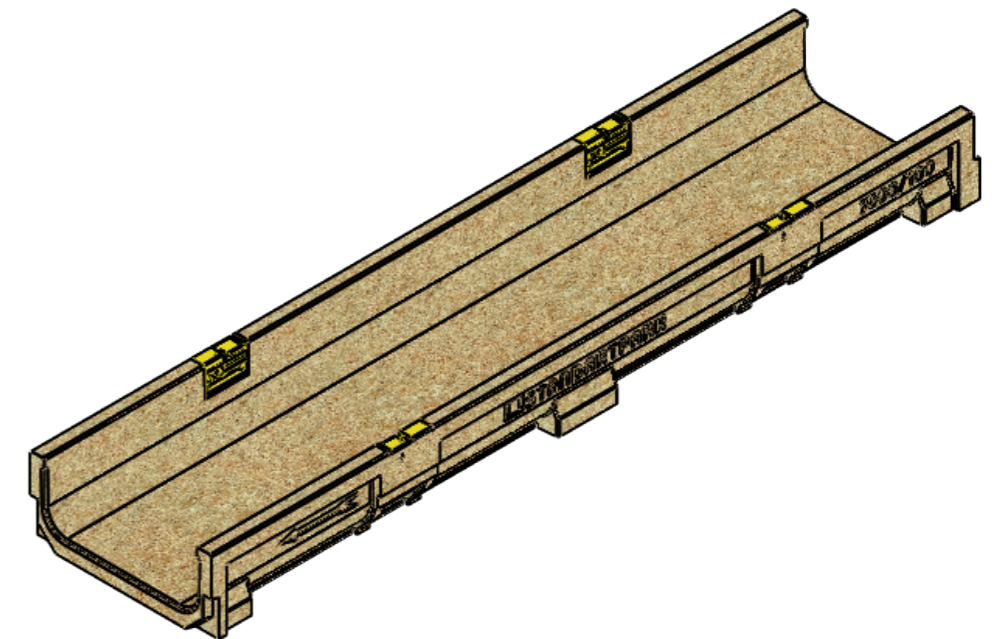
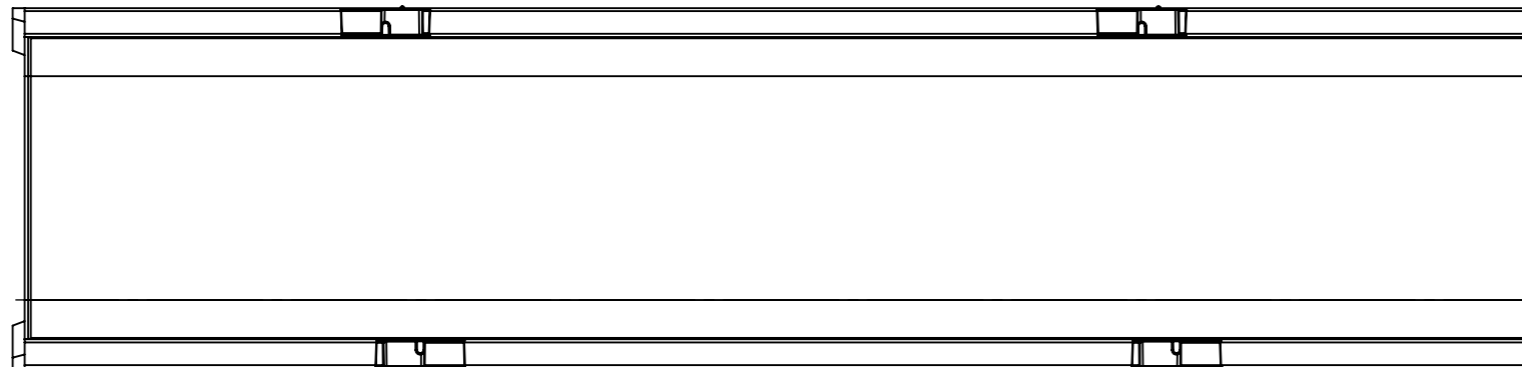
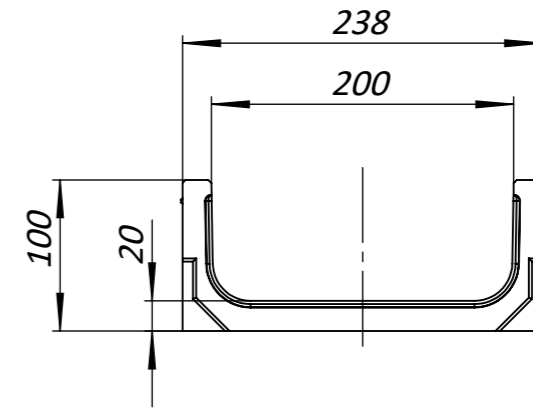
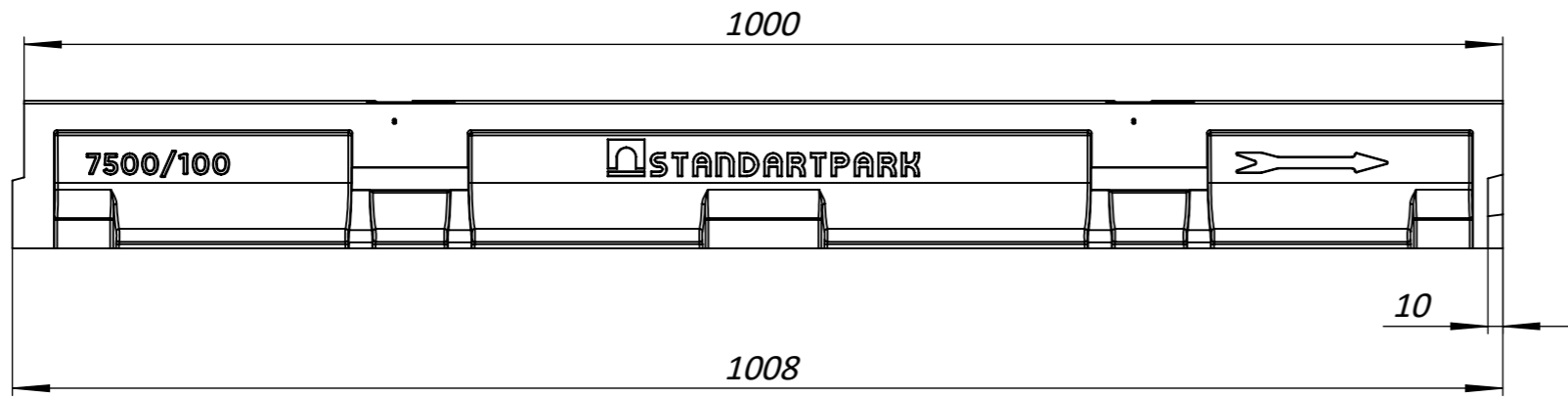
Copy inv. No.

Repl. Inv. No.

Sign. and date

Orig. Inv. No.

LV-20.24.10-P 7500/100



					Art. 7500/100
					<b>LV-20.24.10-P 7500/100</b>
					Polymer Concrete Channel Basic DN200 H100 Load Class C
					Let. Weight Scale
					12.73 1:5
					Sheet Sheets 1
					Polymer Concrete, Plastic
					<b>STANDARTPARK</b>