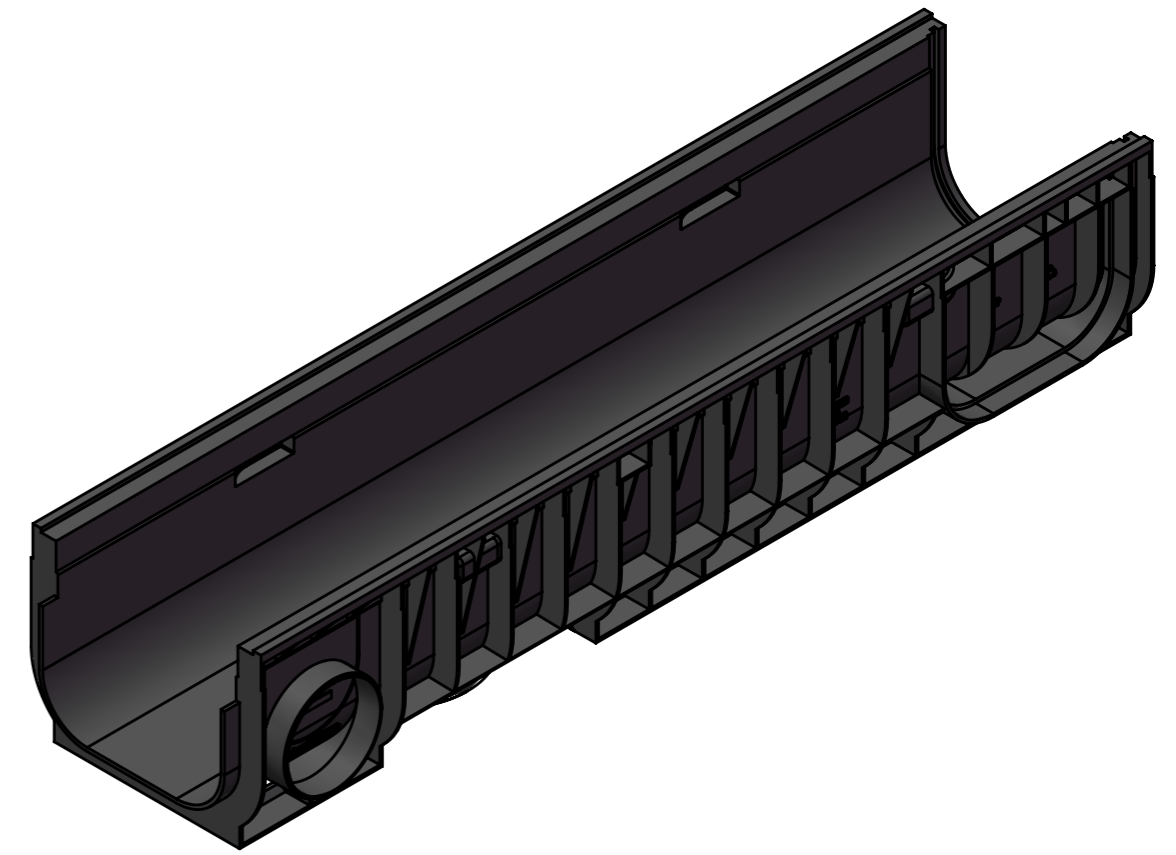
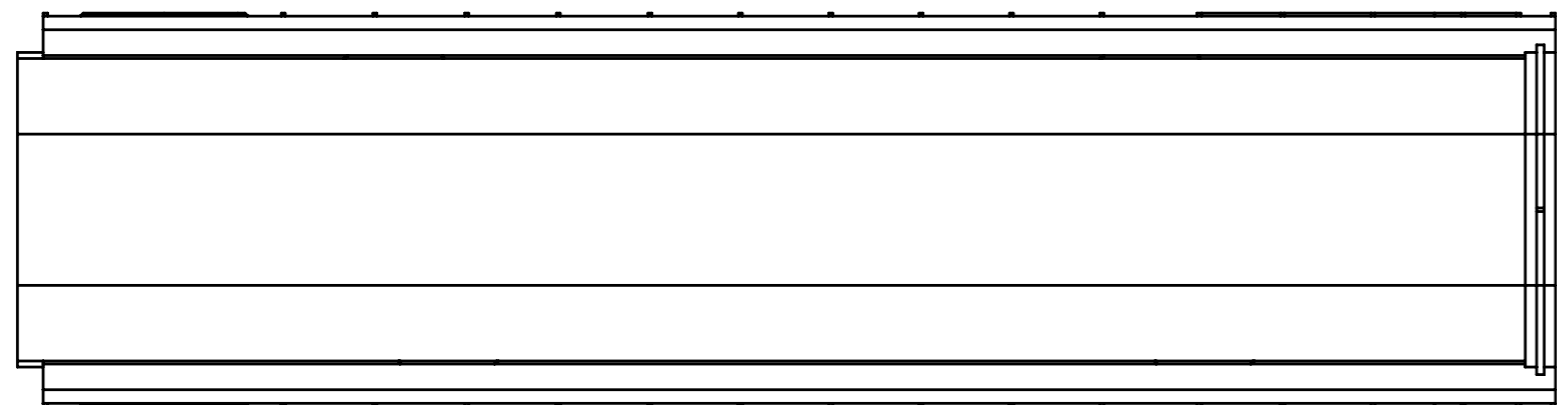
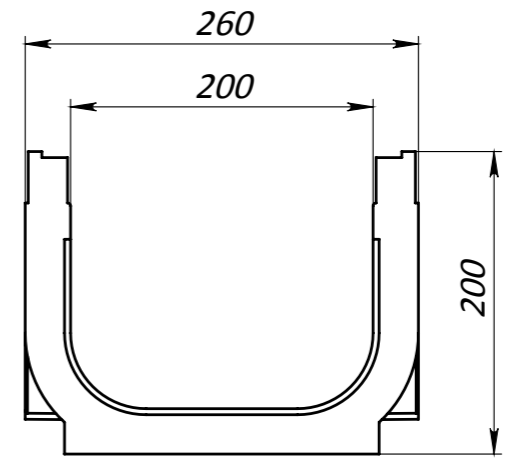
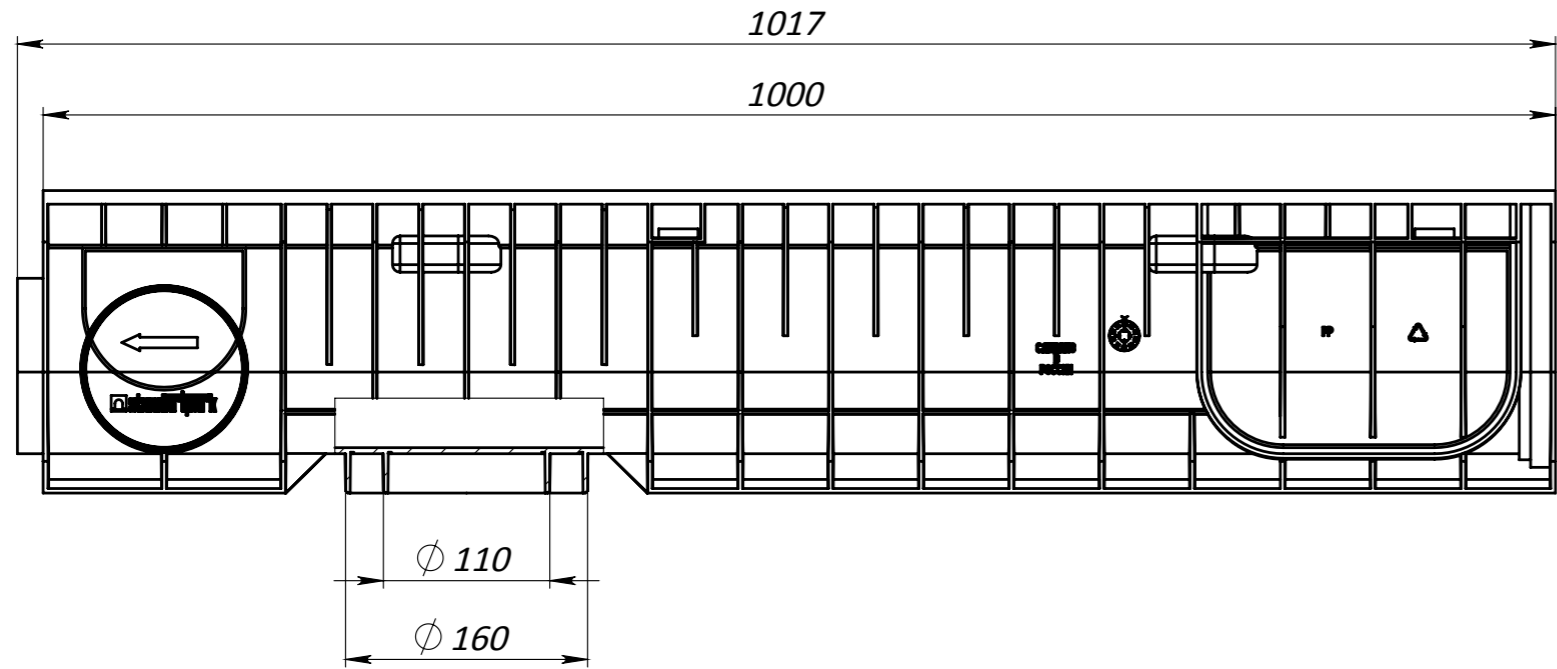


Primary Usage
Reference No.
Sign. and date
Copy inv. No.
Repl. Inv. No.
Sign. and date
Orig. Inv. No.

LV-20.26.20-PP 8540



					Art.	8540				
					LV-20.26.20-PP 8540					
					Plastic Channel			Let.	Weight	Scale
					Load Class C				3.3	1:5
								Sheet	Sheets 1	
					Plastic			