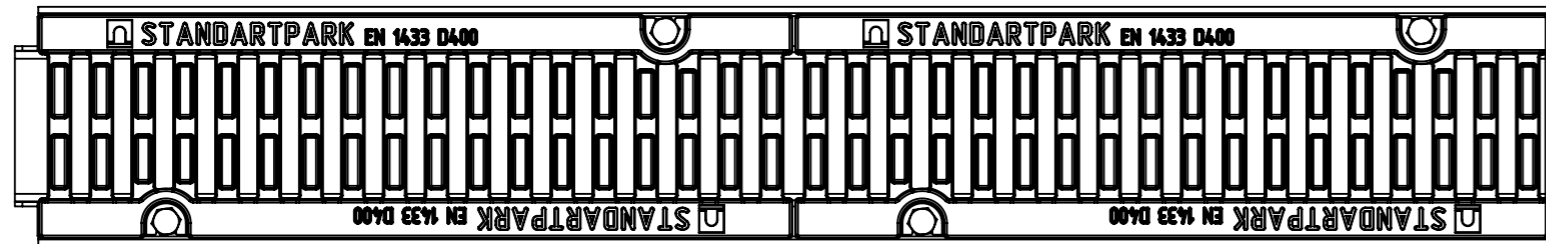
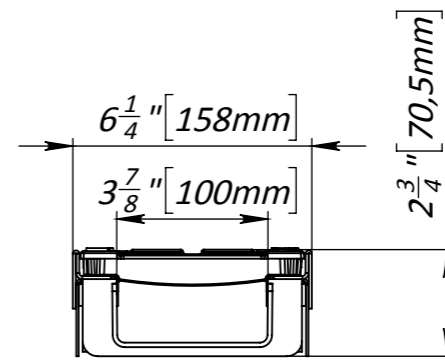
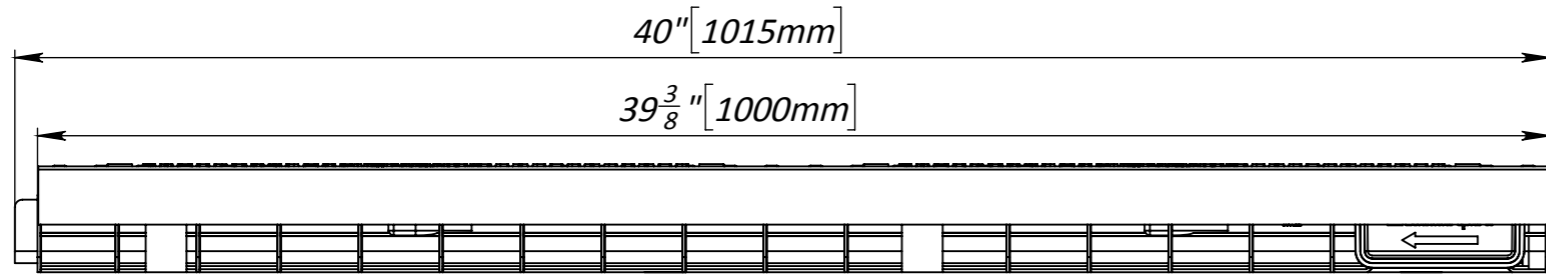


Primary Usage  
Reference No.  
Sign. and date  
Copy inv. No.  
Repl. Inv. No.  
Sign. and date  
Orig. Inv. No.

4" Plastic Drainage Set



- 1. Area of water intake slots 64 sq in [412 sq cm]
- 2. Deviation of the actual weight of the nominal can be up to 10%

					Art. 080534			
					4" Plastic Drainage Set			
Rev.	Sheet	Doc. No.	Sign.	Data	<b>080534</b>	Let.	Weight (lb)	Scale
				11.09.18			25.84	1:5
					Load Class D	Sheet	Sheets 1	
					Plastic, Steel, Ductile Cast Iron			