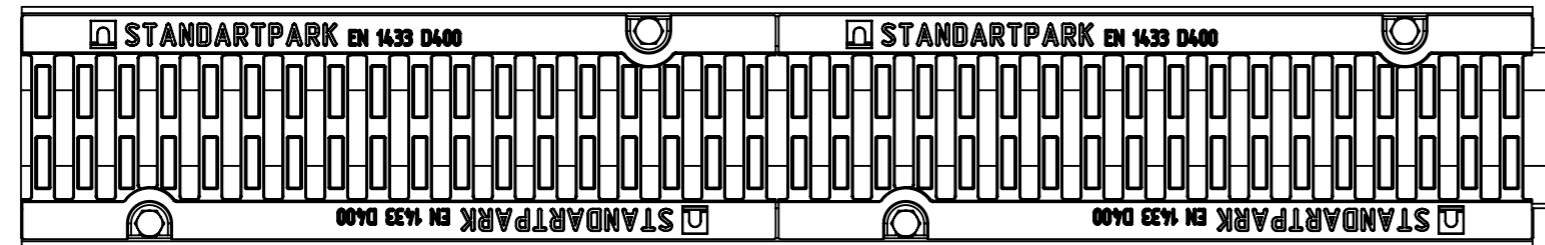
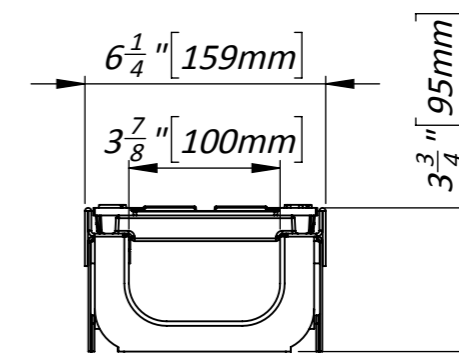
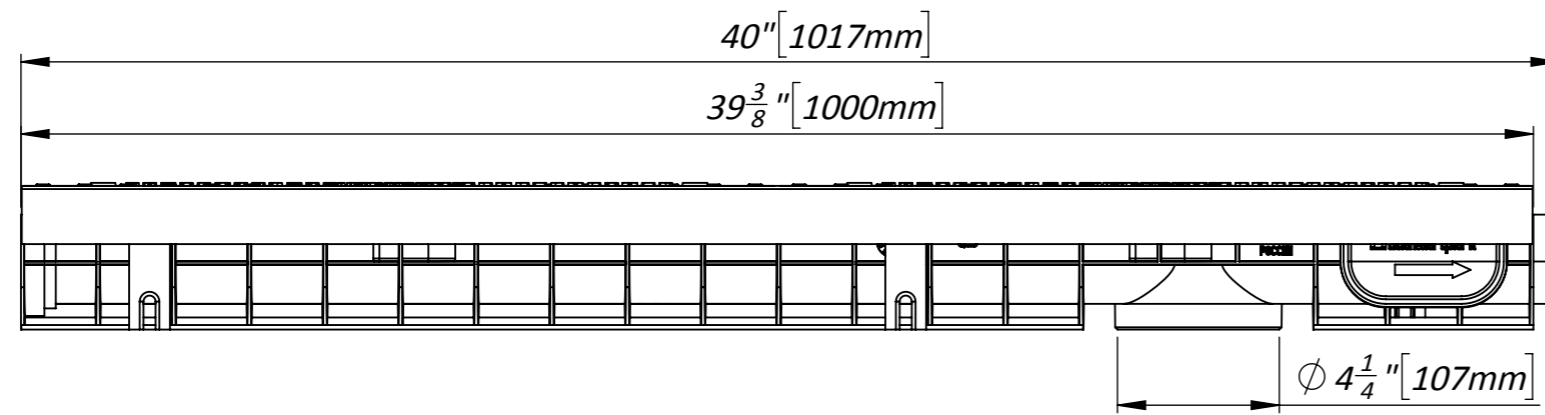


Primary Usage  
Reference No.  
Sign. and date  
Copy inv. No.  
Repl. Inv. No.  
Sign. and date  
Orig. Inv. No.

4" Plastic Drainage Set



- 1. Area of water intake slots 64 sq in [412 sq cm]
- 2. Deviation of the actual weight of the nominal can be up to 8%

					Art. 080134				
					<b>4" Plastic Drainage Set</b>				
					<b>080134</b>		Let.	Weight (lb)	Scale
								26.73	1:5
					<b>Load Class D</b>		Sheet	Sheets 1	
					Plastic, Steel, Ductile Cast Iron				