

NSHCHP-10.14.50-NS 20975-1T-100

Primary Usage

Reference No.

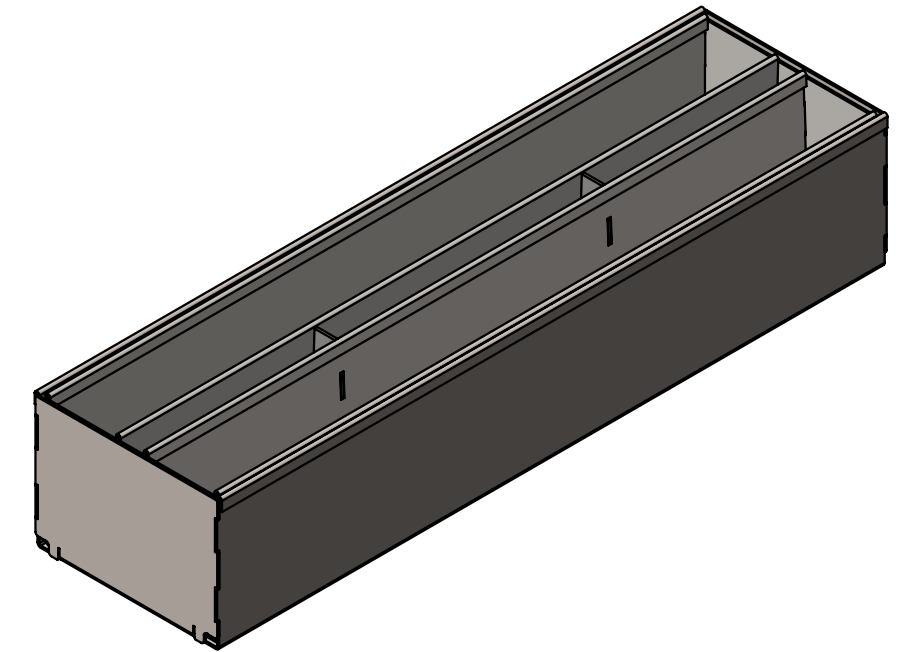
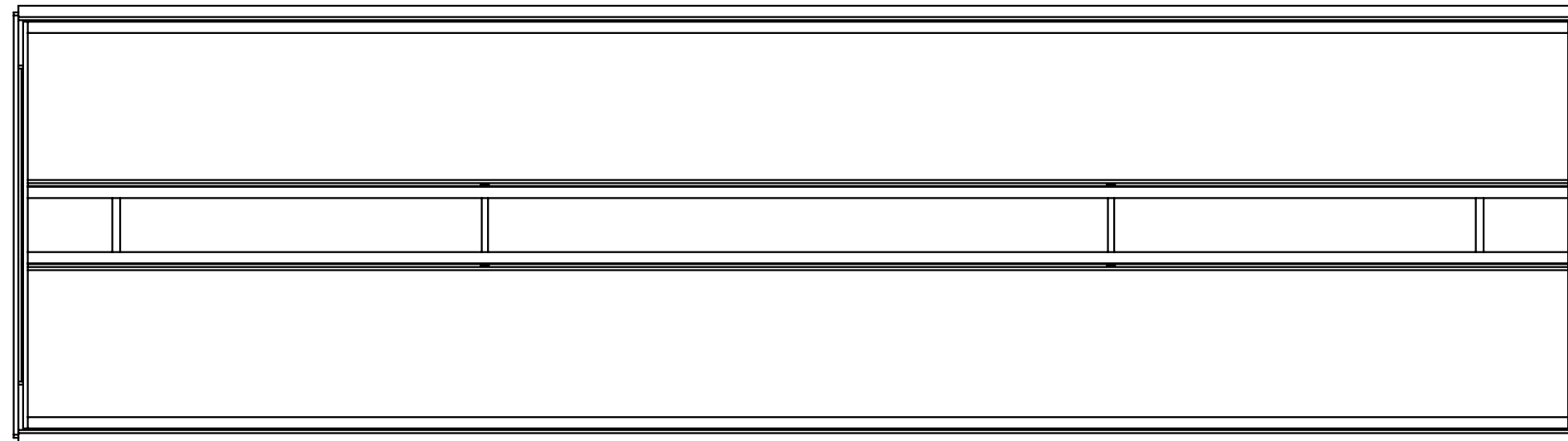
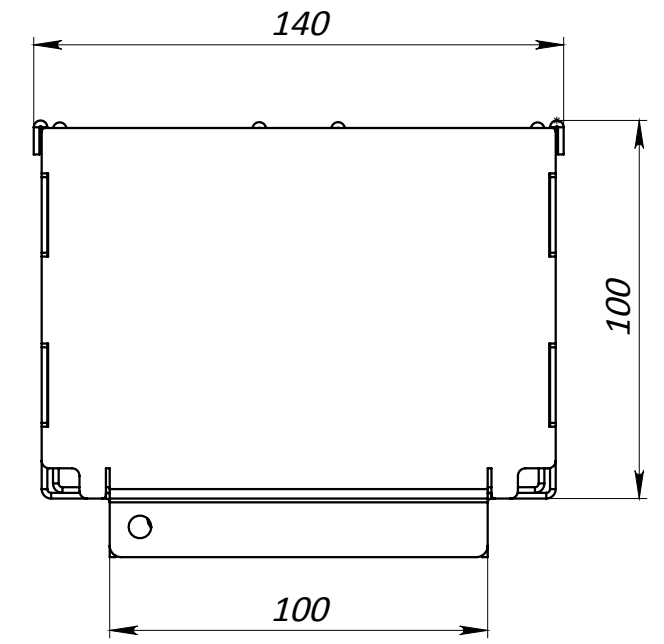
Sign. and date

Copy inv. No.

Repl. Inv. No.

Sign. and date

Orig. Inv. No.



- 1. Area of water intake slots 85 sq cm
- 2. Deviation of the actual weight of the nominal can be up to 10%

					Art.	20975-1T-100				
					NSHCHP-10.14.50-NS 20975-1T-100					
					Stainless Steel Revision Slot Drain			Let.	Weight	Scale
Rev.	Sheet	Doc. No.	Sign.	Data					5.43	1:2
								Sheet	Sheets 1	
					Stainless Steel			