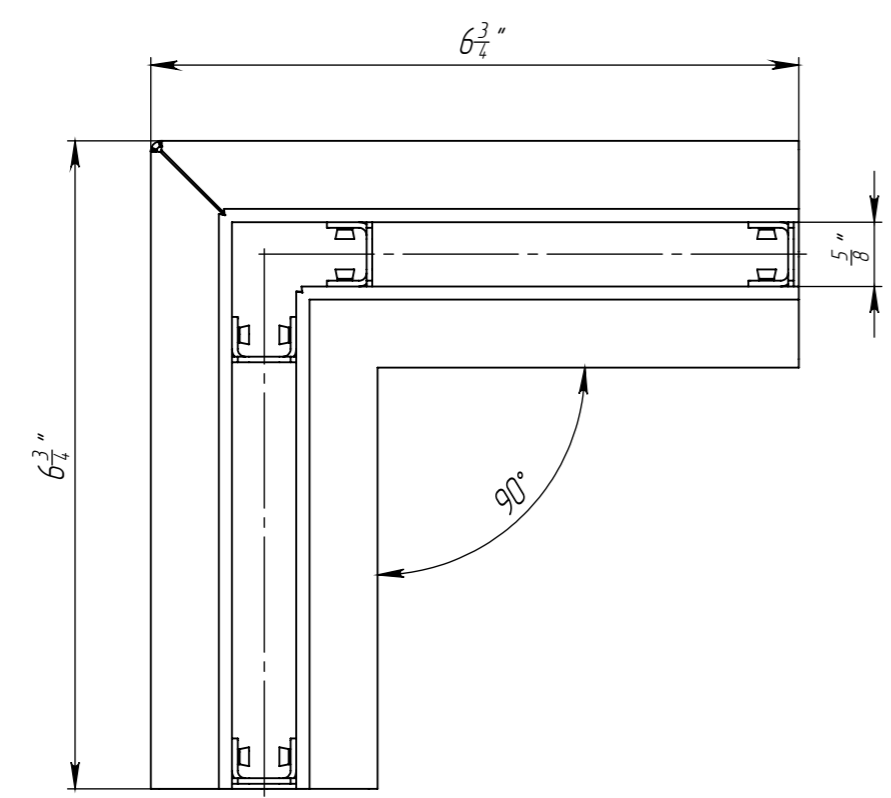
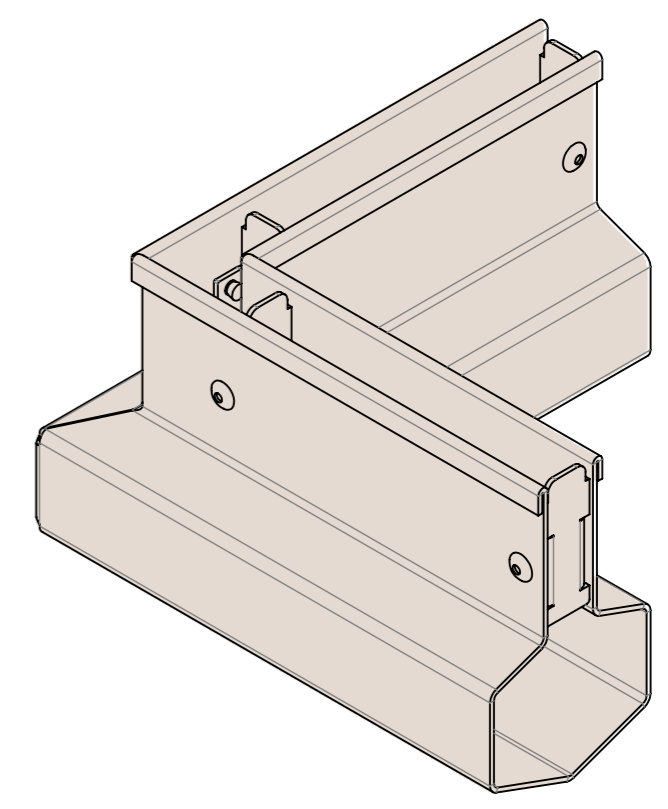
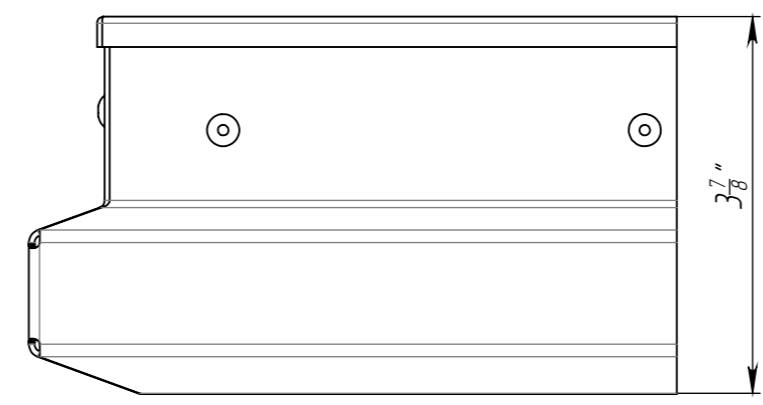
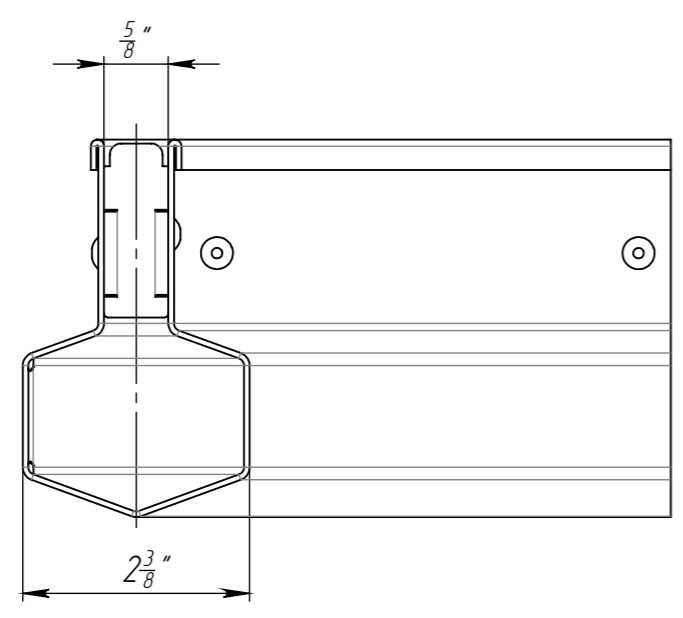


Primary Usage
 Reference No.
 Sign. and date
 Copy inv. No.
 Repl. Inv. No.
 Sign. and date
 Orig. Inv. No.



- * - Dimensions for reference;
- Unspecified marginal deviation of dimensions H14, h14, $\pm IT14/2$;
- General tolerances of form and placement - GOST 30893.2;
- Delivery and packaging are carried out in accordance with the terms of the contract
- The manufacturer reserves the right, without notice to the consumer, to make changes to the design of the products for improvement their technological and operational parameters, which will not affect the quality and properties of the product.

Quantity, pcs. _____ Agreed with the customer _____ Date _____

					Art.	SSSDNC4						
					Mini Slot 90 Degree Adapter							
					Rev.	Sheet	Doc. No.	Sign.	Data	Let.	Weight (lb)	Scale
									17.09.2020		2.22	1:2
					SSSDNC4					Sheet Sheets 1		
					Load class A15							
					Stainless Steel							