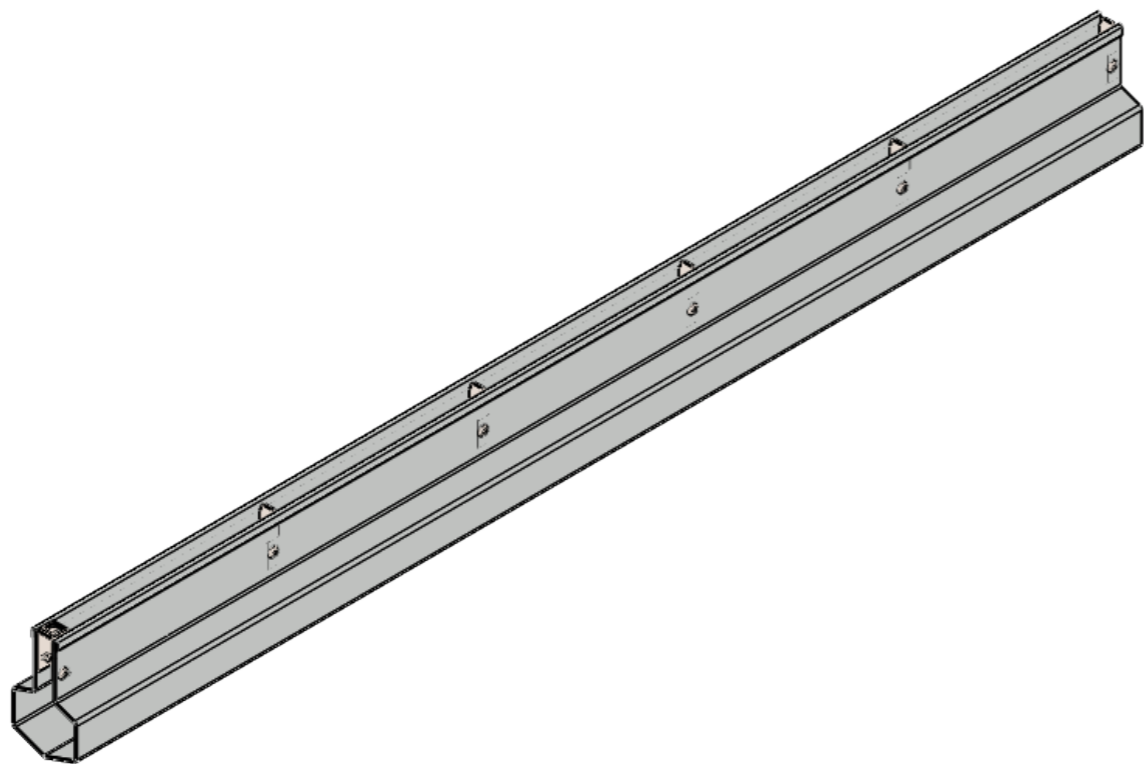
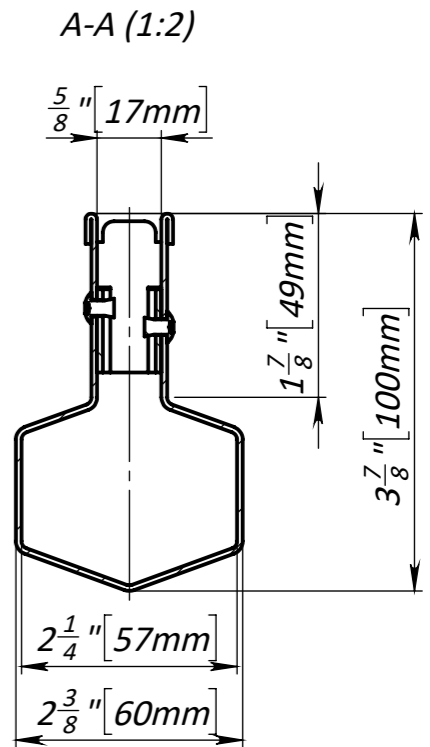
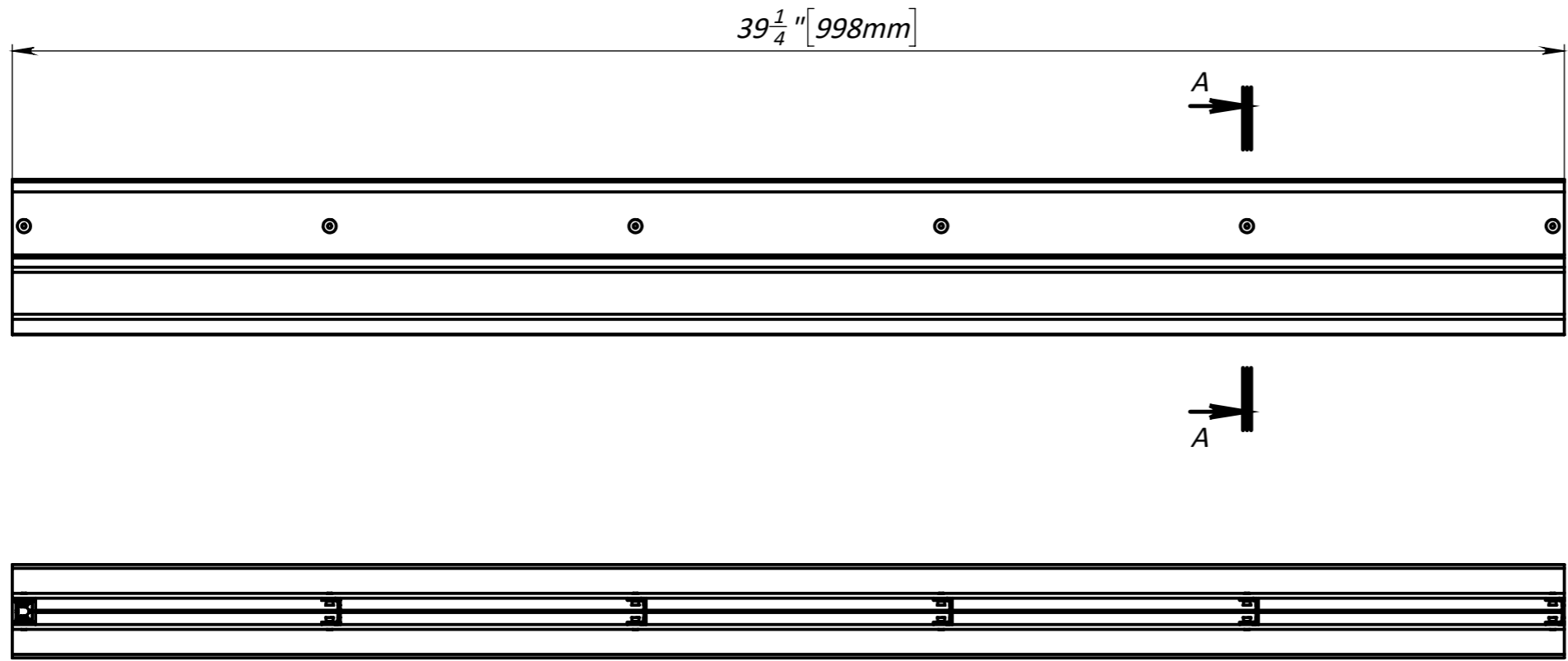


Primary Usage
Reference No.
Sign. and date
Copy inv. No.
Repl. Inv. No.
Sign. and date
Orig. Inv. No.



Deviation of the actual weight of the nominal can be up to 10%

Rev.	Sheet	Doc. No.	Sign.	Data
				22.02.2021

Art. SSSDC40-6.100.10		
INOX Mini Slot trench drain 100		
Let.	Weight (lb)	Scale
	7.55	1:4
Sheet	Sheets 1	
Stainless Steel		