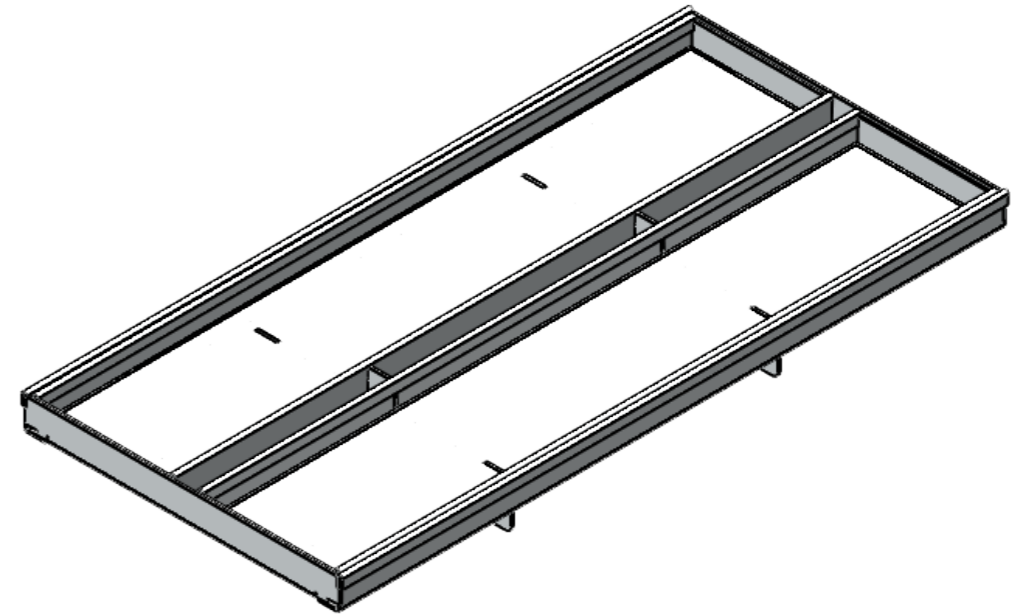
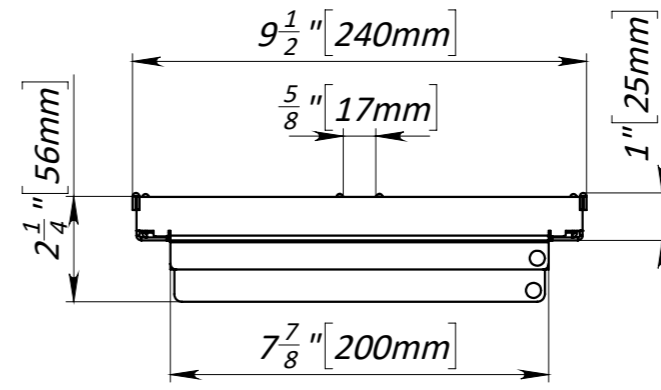
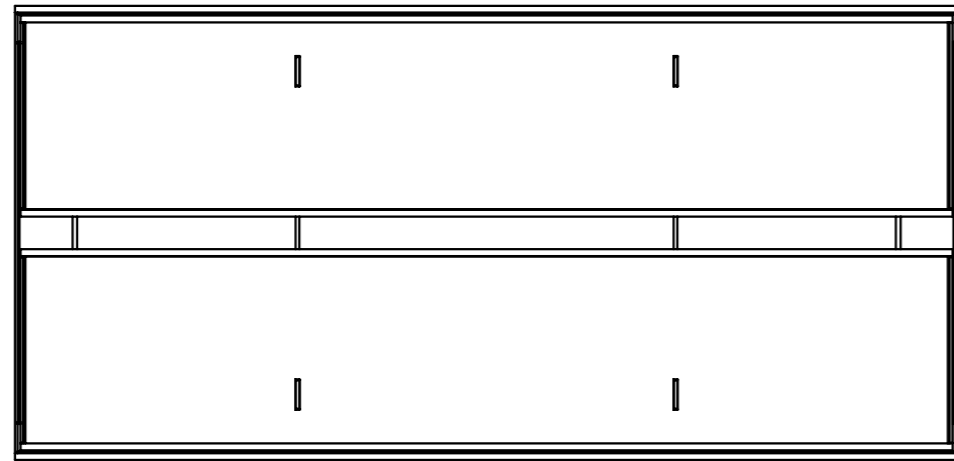
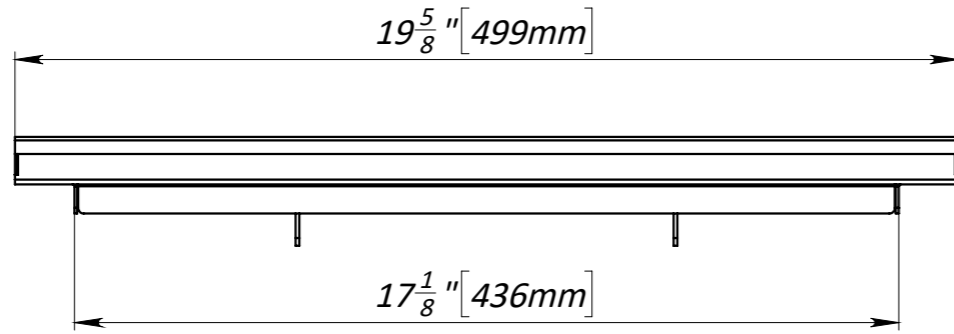


Primary Usage
Reference No.
Sign. and date
Copy inv. No.
Repl. Inv. No.
Sign. and date
Orig. Inv. No.

8" Galvanized Steel Revision Micro Slot Drain



- 1. Area of water intake slots 13 sq in [85 sq cm]
- 2. Deviation of the actual weight of the nominal can be up to 10%

					Art. 25175-1T-25			
					8" Galvanized Steel Revision Micro Slot Drain			
Rev.	Sheet	Doc. No.	Sign.	Data	<b>25175-1T-25</b>	Let.	Weight (lb)	Scale
							7.40	1:4
					Load Class A	Sheet		Sheets 1
					Galvanized Steel			