

8" Galvanized Steel Revision Slot Drain

Primary Usage

Reference No.

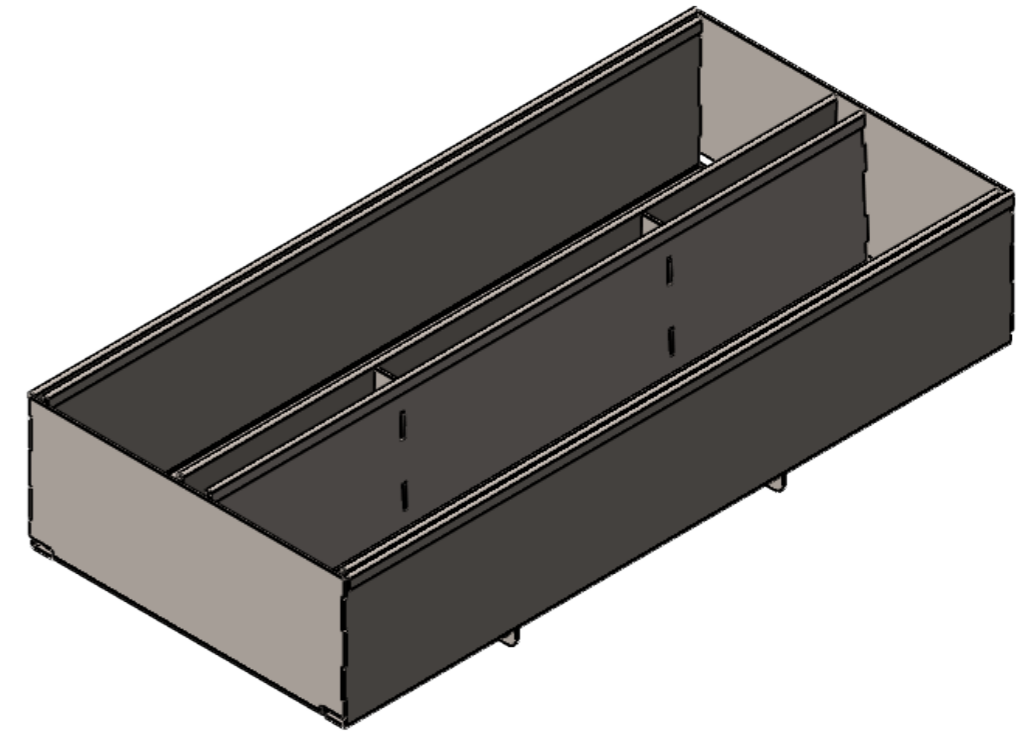
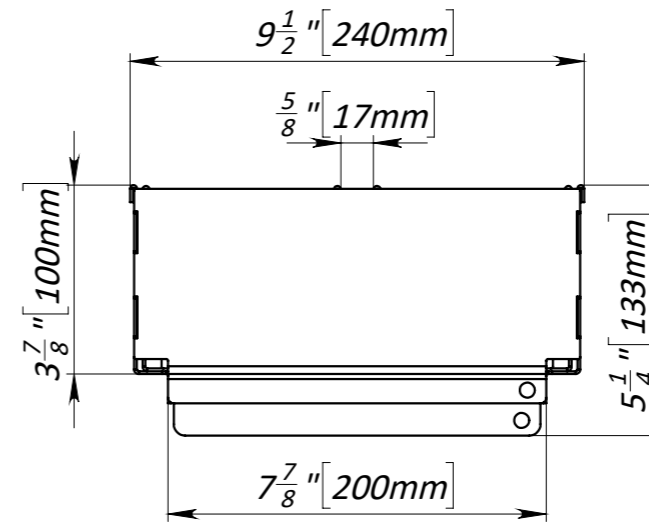
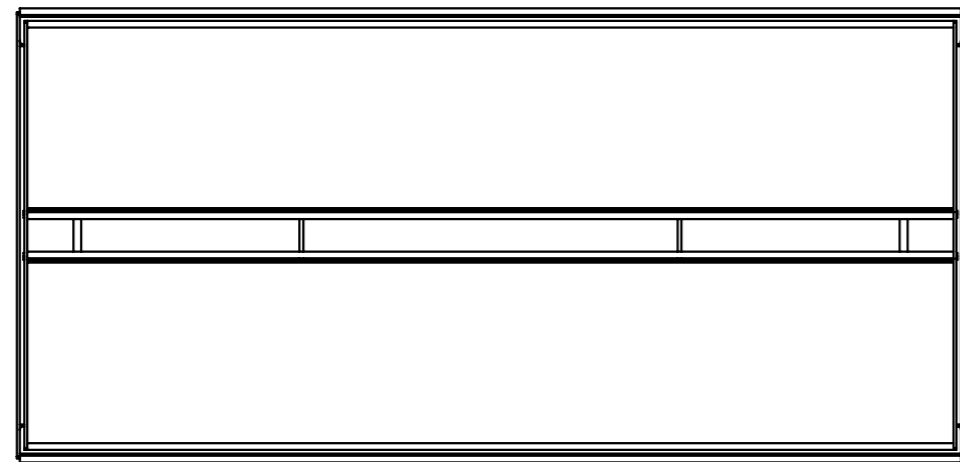
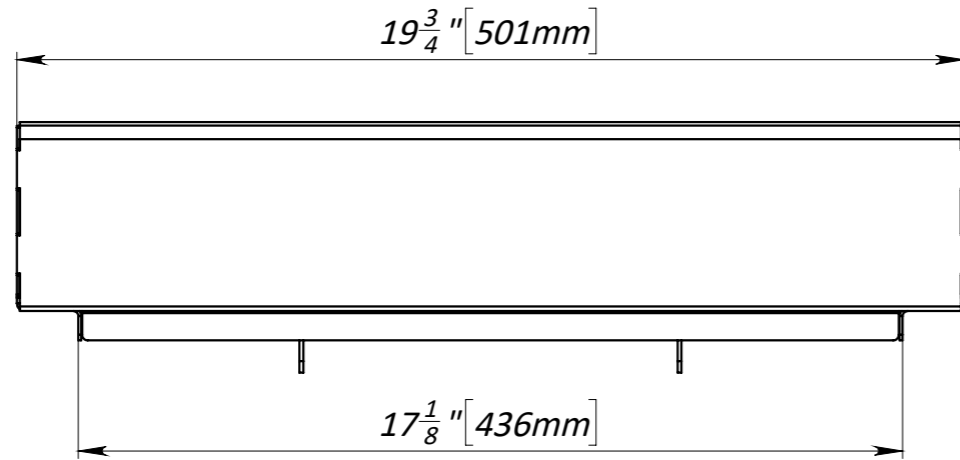
Sign. and date

Copy inv. No.

Repl. Inv. No.

Sign. and date

Orig. Inv. No.



- 1. Area of water intake slots 13 sq in [85 sq cm]
- 2. Deviation of the actual weight of the nominal can be up to 10%

					Art. 25175-1T-100				
					8" Galvanized Steel Revision Slot Drain				
					25175-1T-100		Let.	Weight (lb)	Scale
					Load Class A			15.08	1:4
					Galvanized Steel		Sheet	Sheets 1	