

Ductil cast iron grating URBAN

Primary Usage

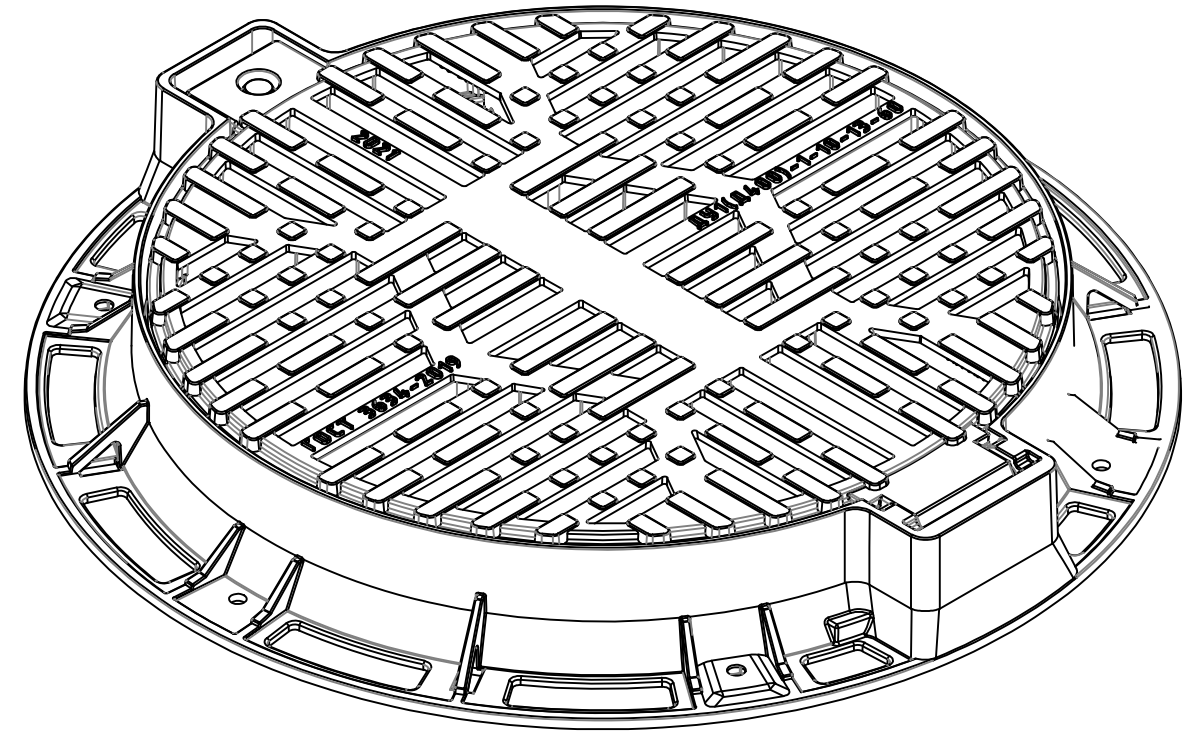
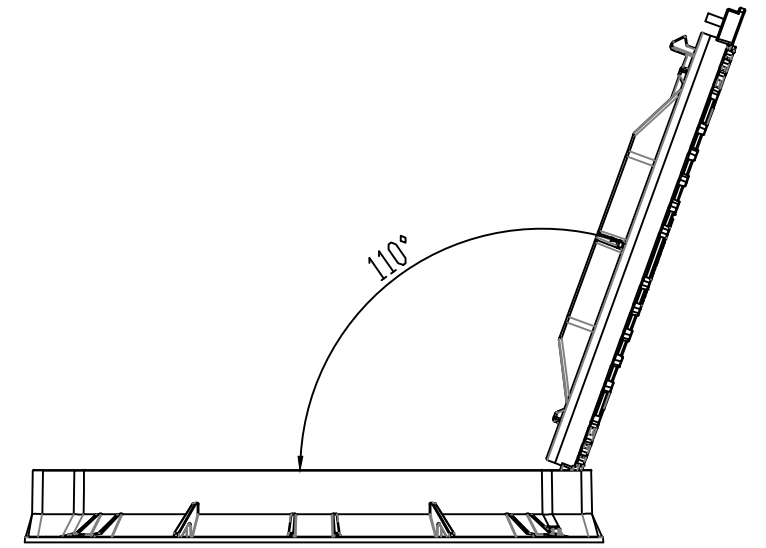
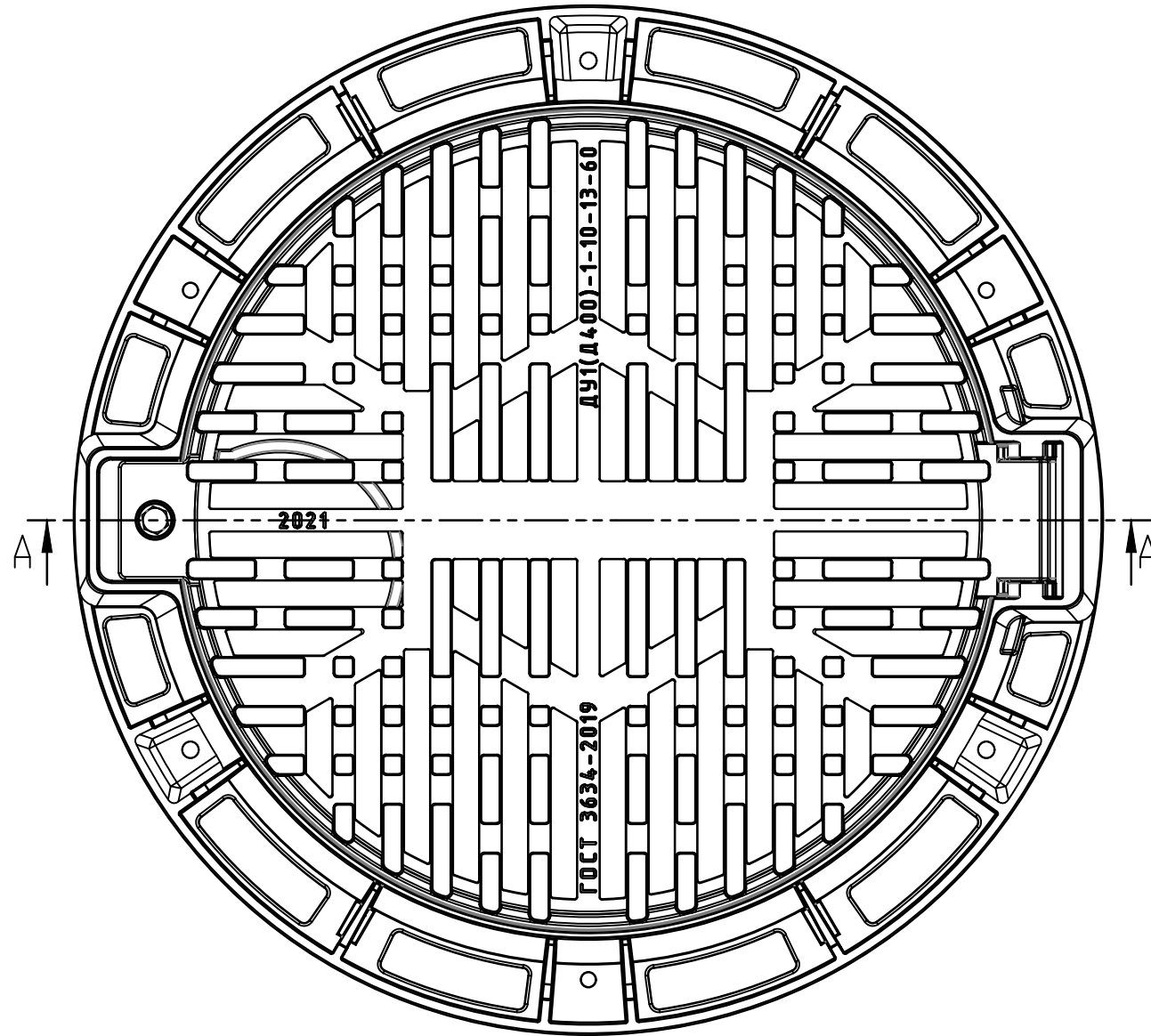
Reference No

Sign. and date

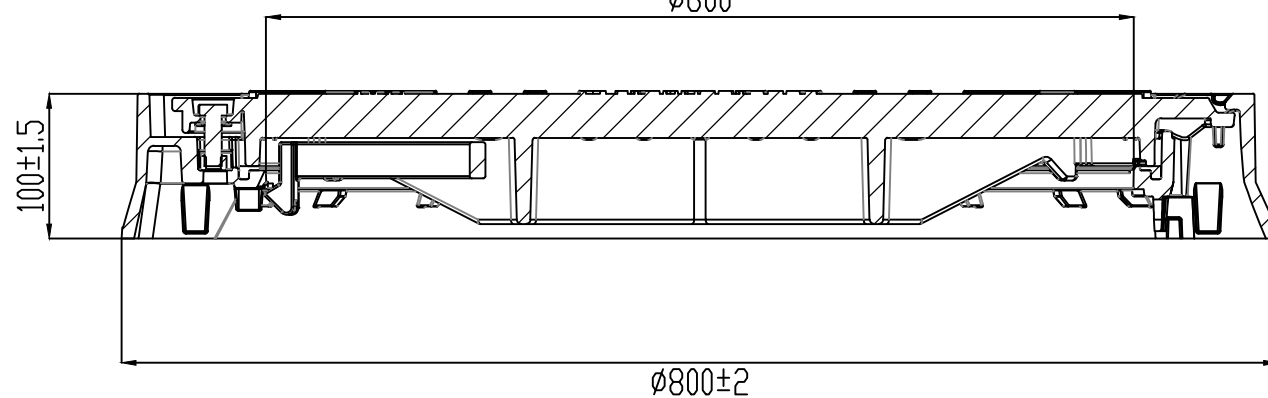
Repl. Inv. No. Copy inv. No

Sign. and date


Orig. Inv.No



A-A  
1:5  
ø600



1 According to GOST 26645-85 for pouring from 10 to 40 kg of class 9th precision, the weight deviation can reach up to 8%.

				Art. 32158/10-55M		
				Ductil cast iron grating URBAN		
Rev Sheet	Doc. no	Sign	Data	Let.	Weight	Scale
Dvlpd by	Дька		16.11.2020		59.47	1:5
Chkd by	Полунин			Sheet 1   Sheets 1		
Tech. Ctrl	Цюрак					
Reg.Doc.Ctrl	Толстых					
Aprvd by	Камышников					

Copied by

Size A3