

33352/12-3

Primary Usage

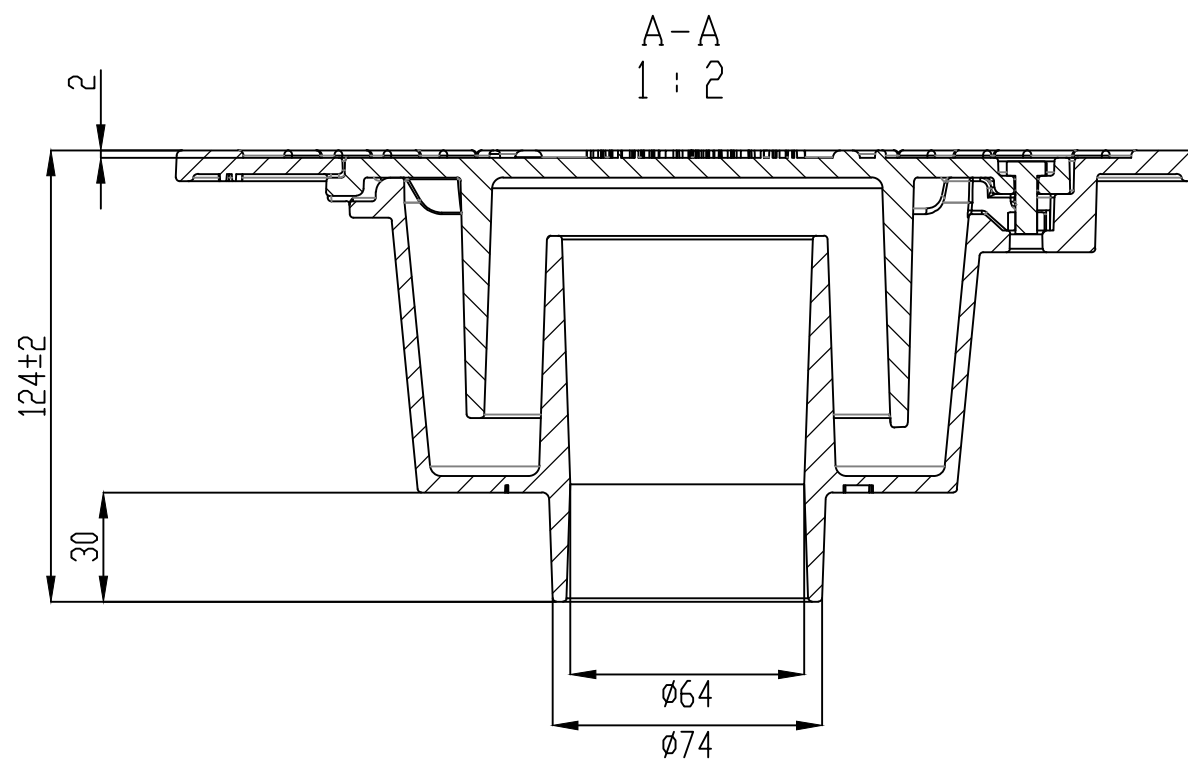
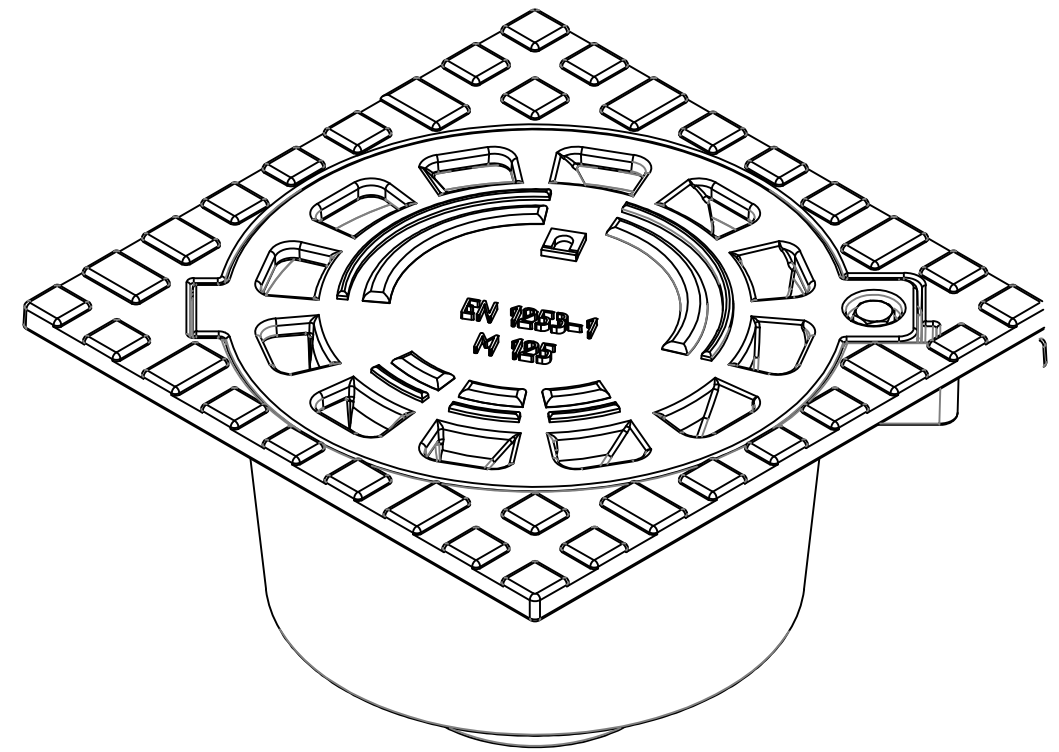
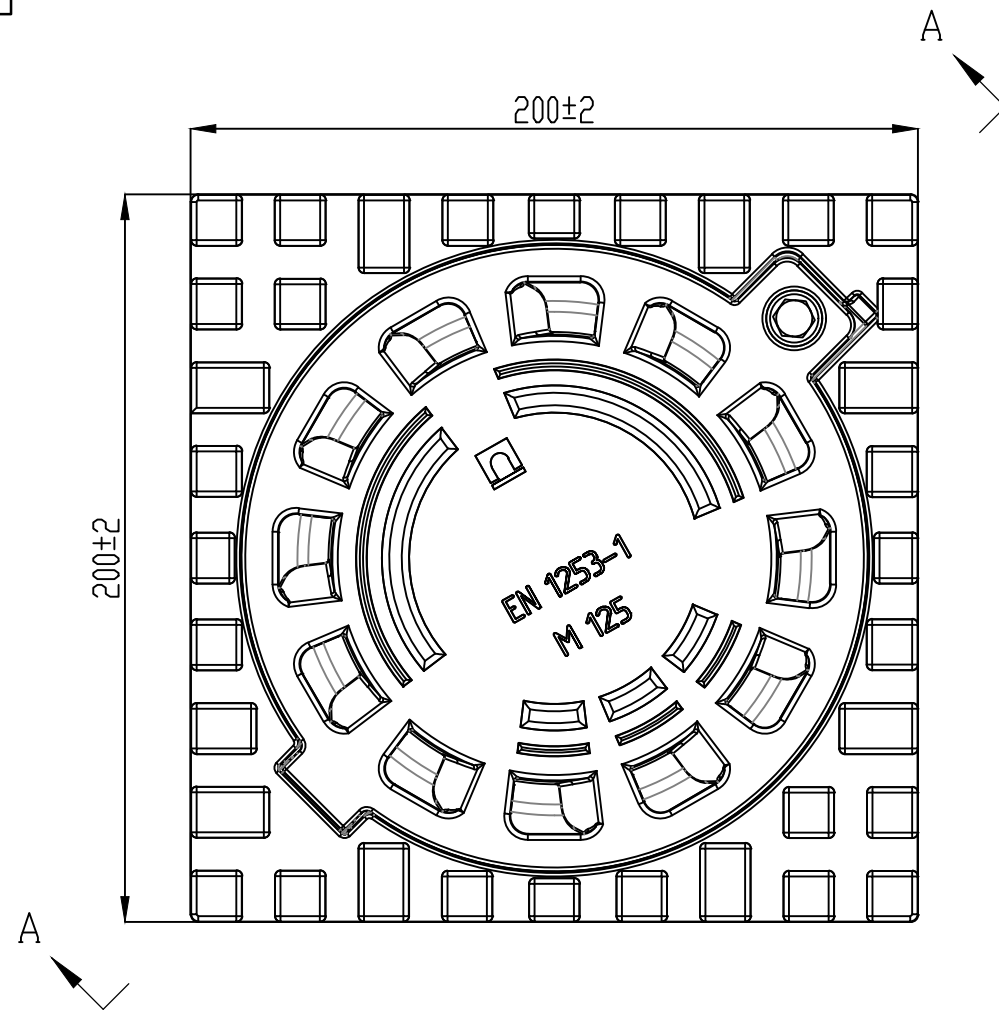
Reference No.

Sign. and date

Copy inv. No.

Repl. Inv. No.

Orig. Inv. No. Sign. and date



1. According to GOST 26645-85 for casting from 10 to 40 kg of precision class 9, the deviation from the table can be up to 8%.
2. The cover weight is 3.87 kg

|                |              |      |            |   |         |             |       |
|----------------|--------------|------|------------|---|---------|-------------|-------|
|                |              |      |            | Art. 33352/12-3                                 |         |             |       |
| Rev. Sheet     | Doc. Nr.     | Sign | Date       | Trap type M125 200x200<br>vertical output DN110 | Let.    | Weight (kg) | Scale |
| Dvlpd by       | Prokopenko   |      | 04.02.2021 |   |         | 5.69        | 1:5   |
| Chkd by        | Kachanovskyy |      |            |   | Sheet 1 | Sheets 1    |       |
| Tech. Ctrl     | Tsyurak      |      |            |   |         |             |       |
| Reg. Doc. Ctrl | Dyka         |      |            | GGG50   |         |             |       |
| Aprvd by       | Darel        |      |            |   |         |             |       |