

33352513-5

Primary Usage

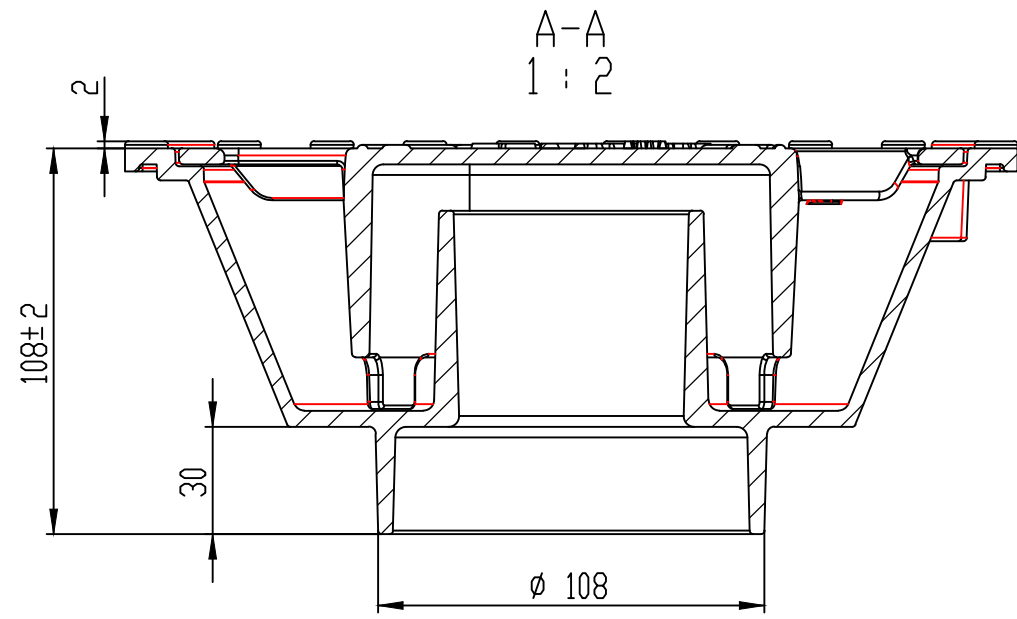
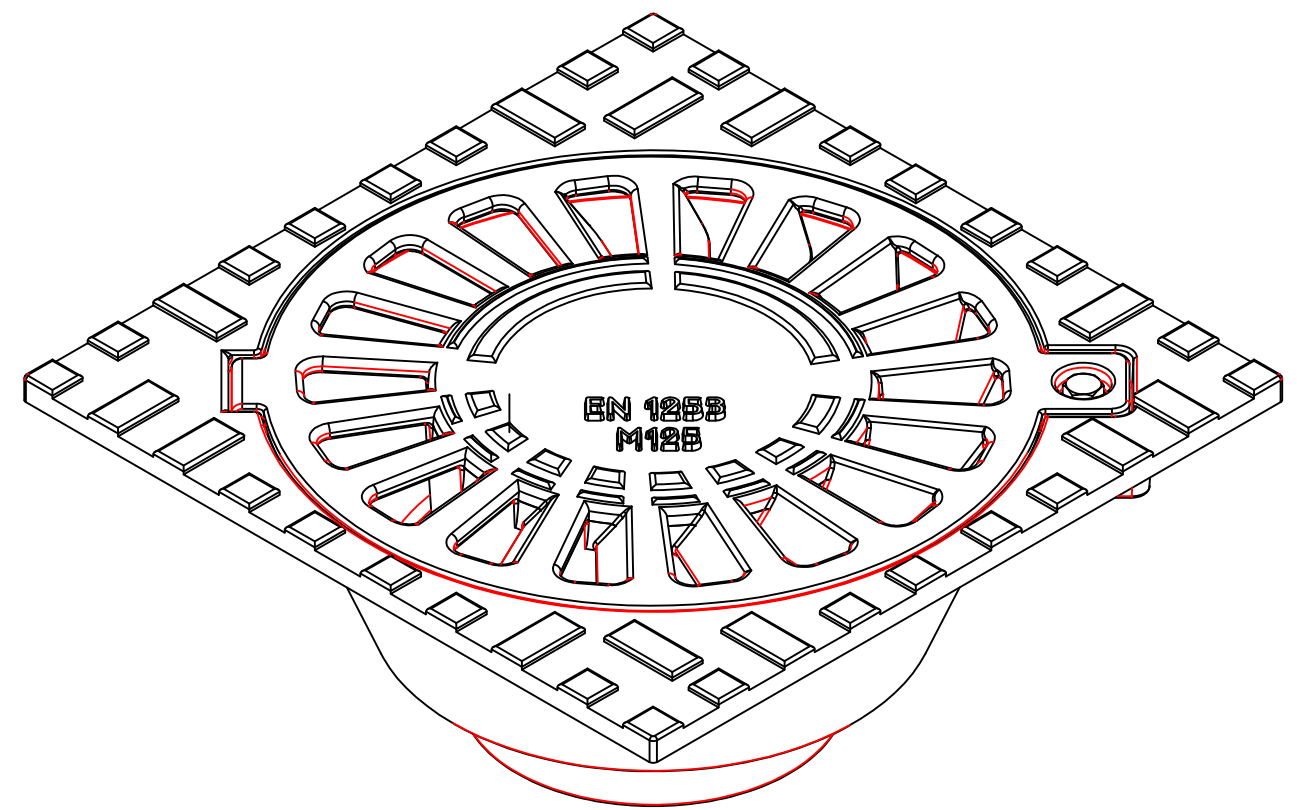
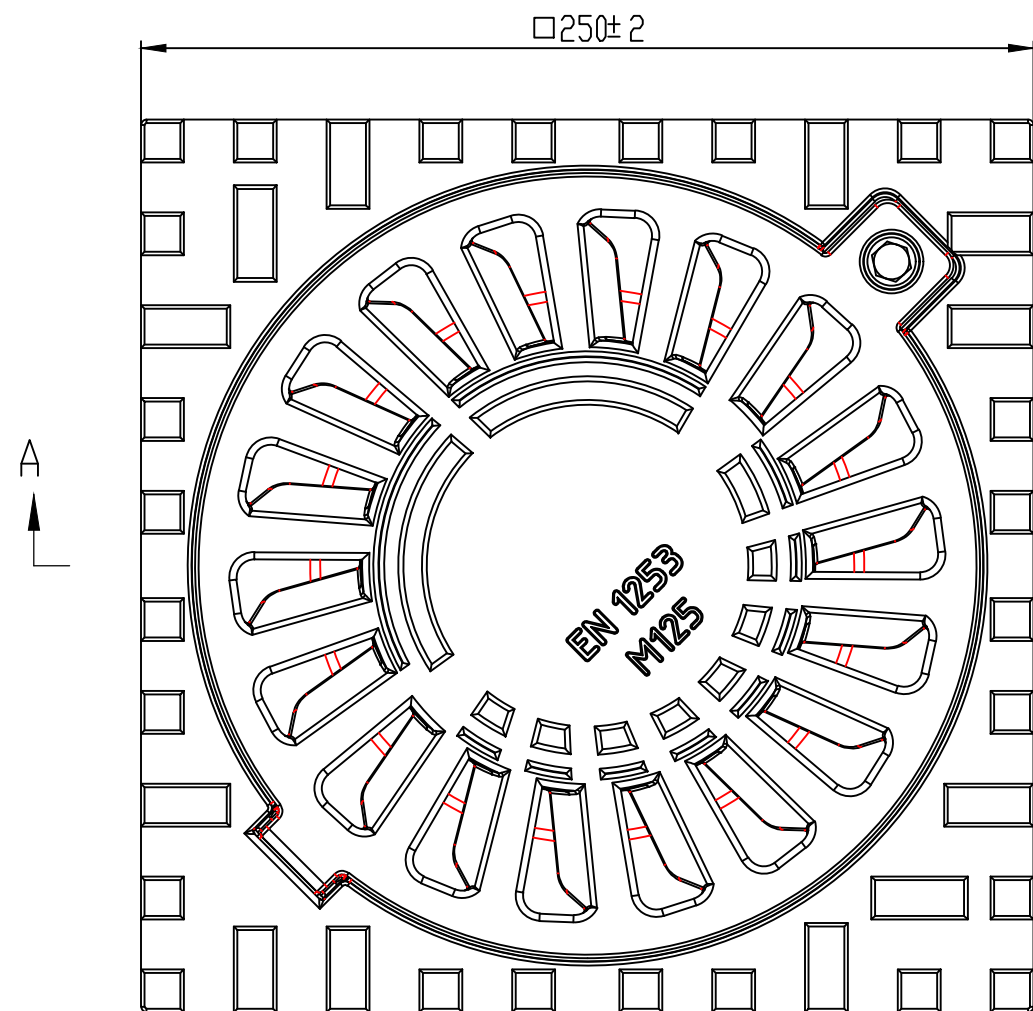
Reference No.

Sign. and date


Rep. Inv. No

Sign. and date

Drig. Inv. No



1. According to GOST 26645-85 for casting from 10 to 40 kg of 9 class of accuracy, the deviation from the mass can be up to 8%.
2. Comparative weight of the case depending on height:

				Art. 33352513-5				
Rev	Sheet	Doc. No.	Sign.	Data	Trap type M125 250x250 vertical output DN110	Let.	Weight [kg]	Scale
	Dvlpd by	Prokopenko		28.08.2018			6,1	1:5
	Chkd by					Sheet 1	Sheets 1	
	Tech. Ctrl							
	Reg. Doc. Ctrl				GGG50			
	Aprvd by							

Size A3