

3335313-5

Primary Usage

Reference No.

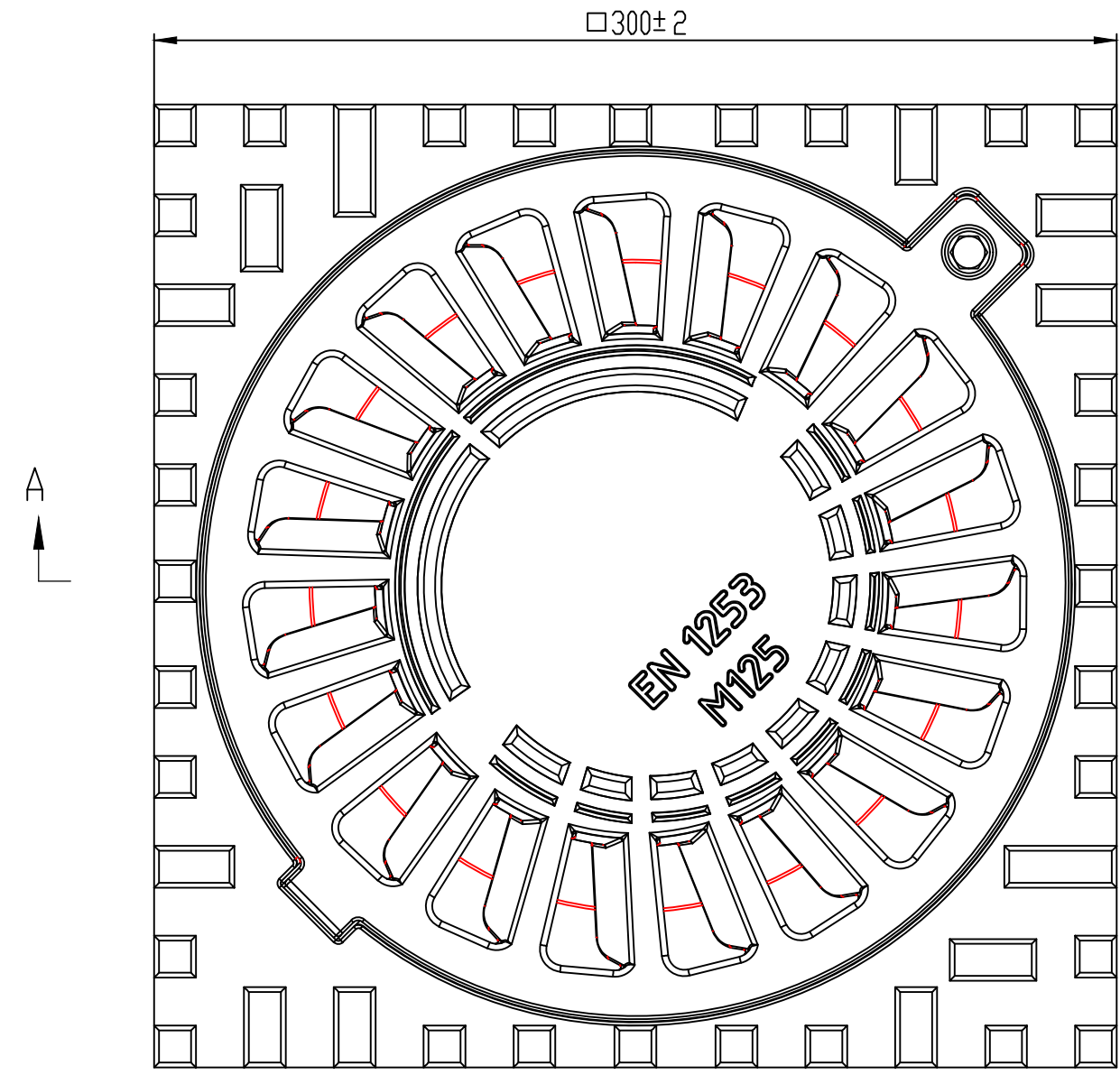
Sign. and date

Copy. inv. No

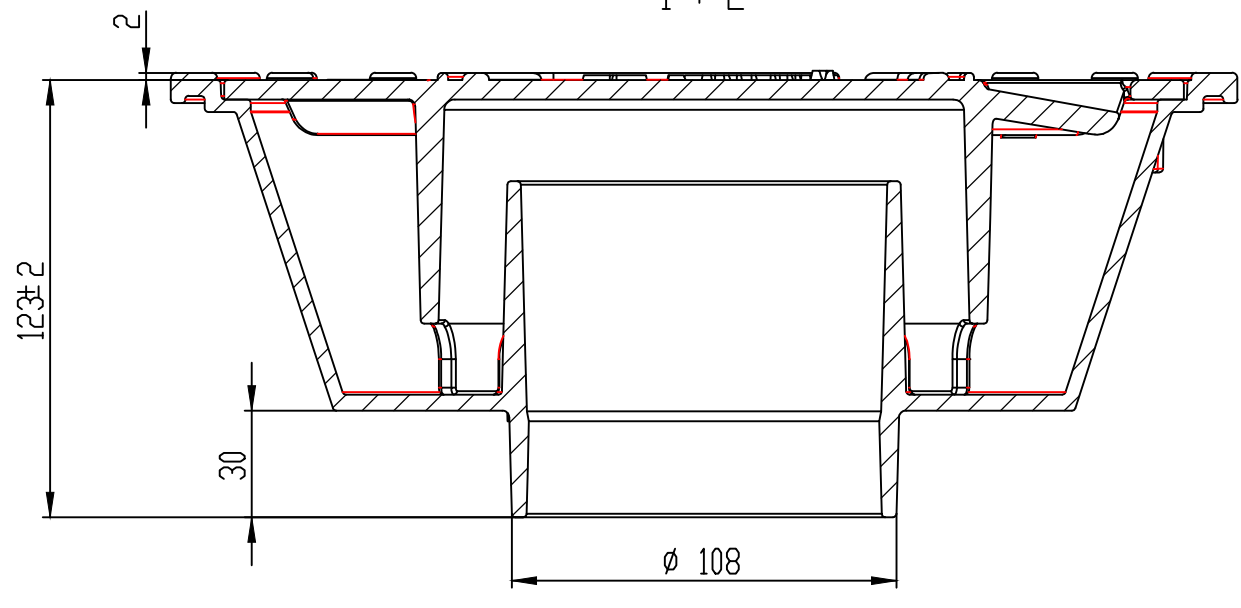
Repl. Inv.No

Sign. and date

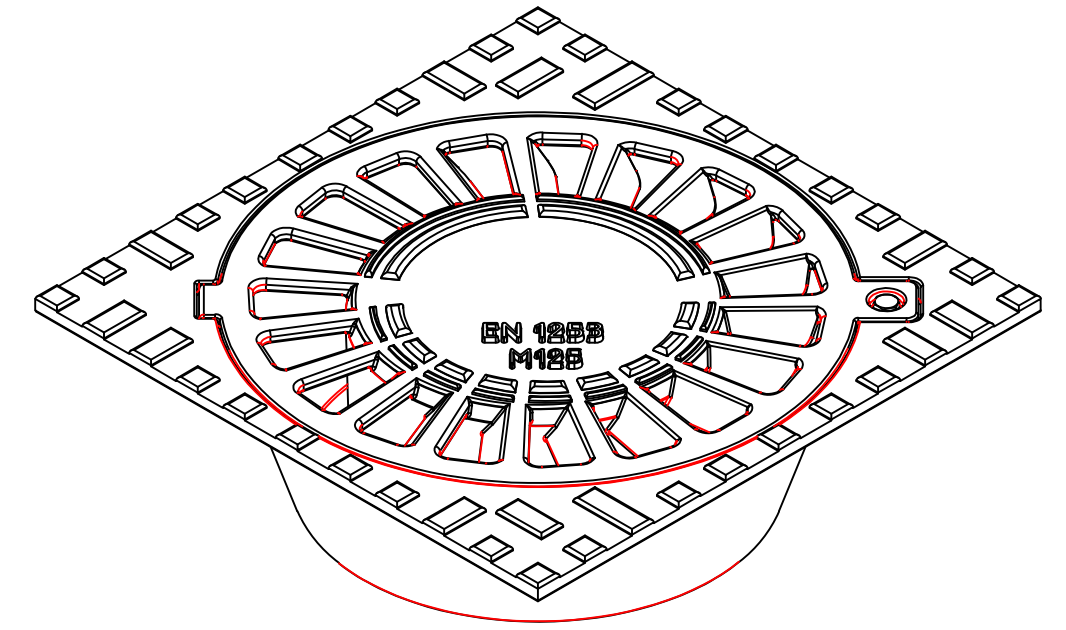
Drig. Inv.No



A-A
1:2



A



1. According to GOST 26645-85 for casting from 10 to 40 kg of 9 class of accuracy, the deviation from the mass can be up to 8%
2. Comparative weight of the case depending on height

				Art 3335313-5				
Rev	Sheet	Doc.No.	Sign.	Data	Trap type M125 300x300 vertical output DN110	Let.	Weight [kg]	Scale
		Prokopenko		28.08.2018			9,1	1:2
						Sheet 1	Sheets 1	
						GGG50		
					Size A3			