

33354/16-3

Primary Usage

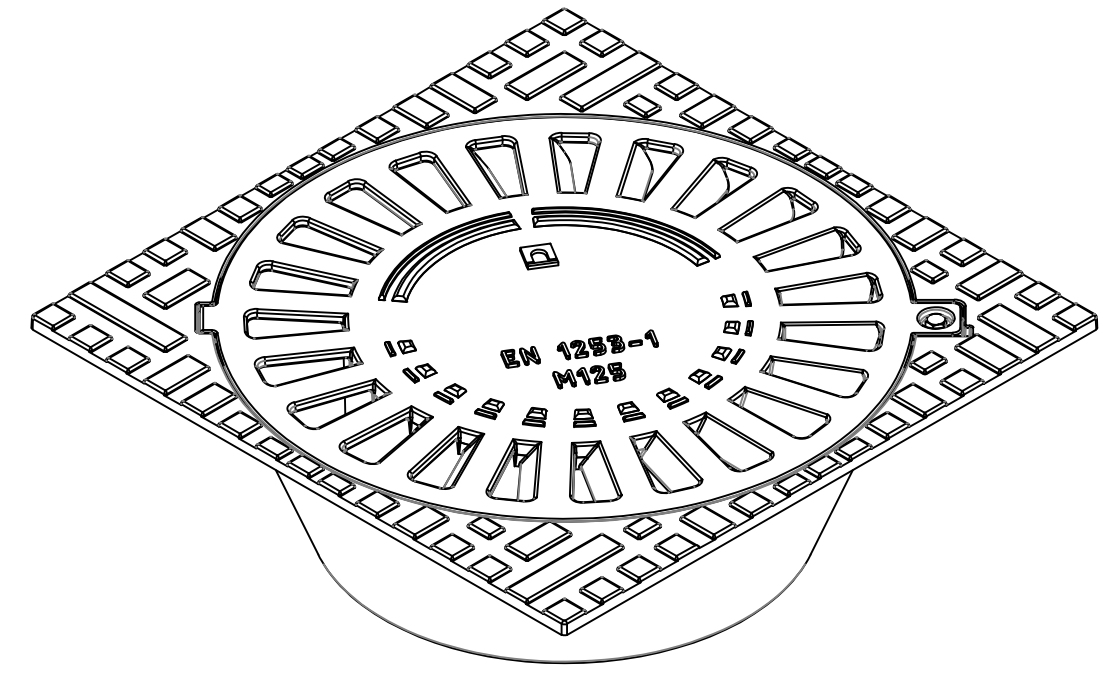
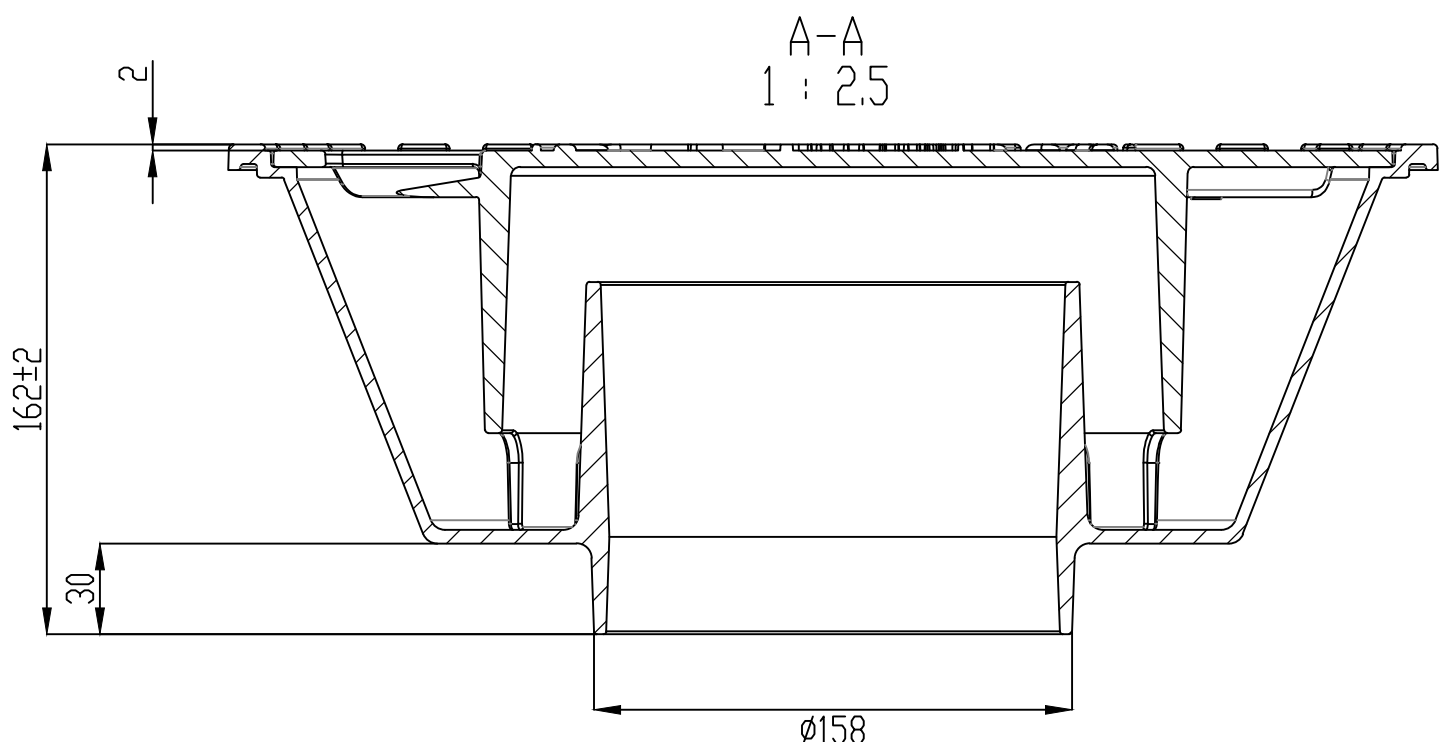
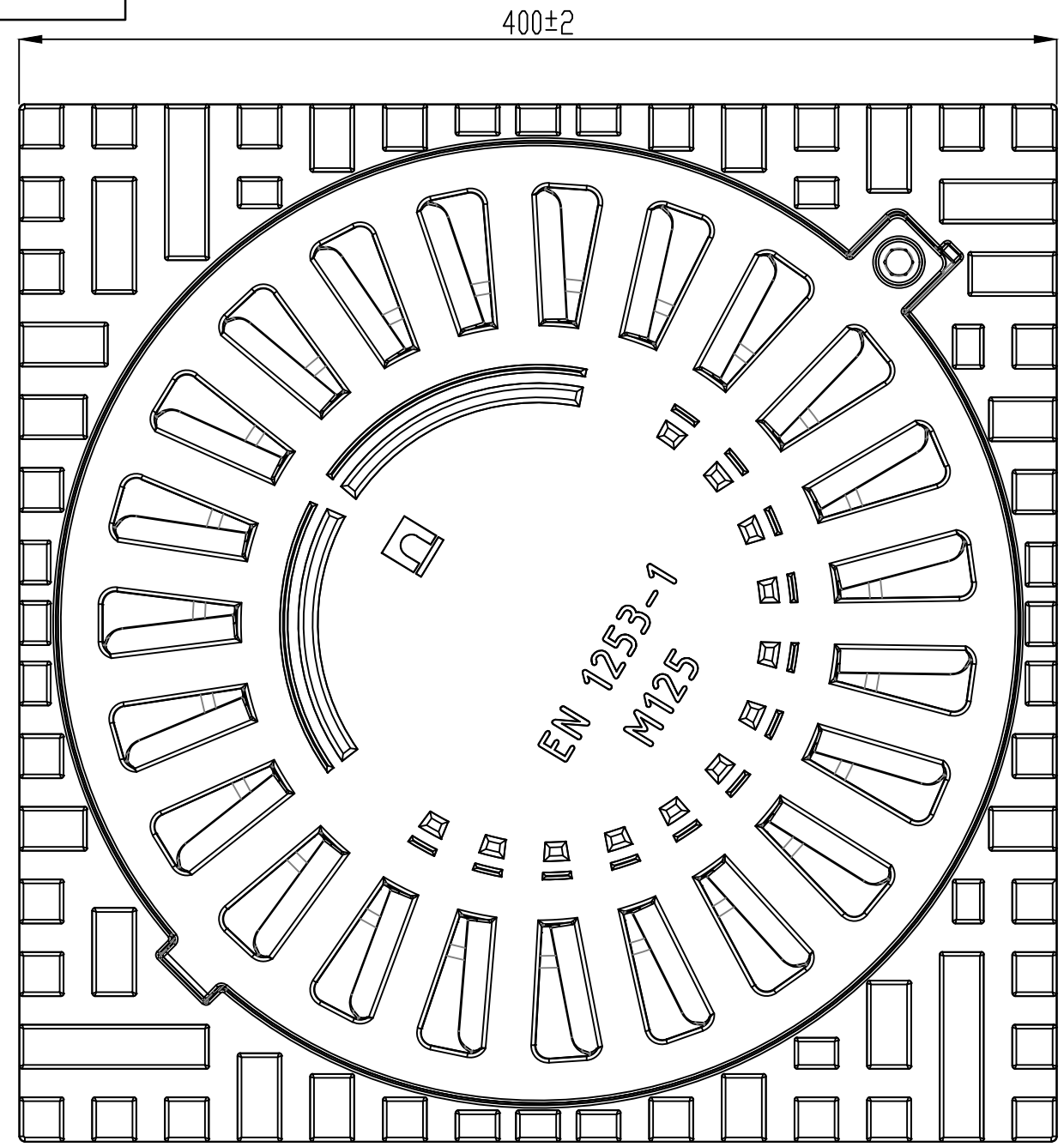
Reference No.

Sign. and date

Repl. Inv. No.

Sign. and date

Inv. No.



A

1. According to GOST 26645-85 for casting from 10 to 40 kg of 9 class of accuracy, the deviation from the mass can be up to 8%.
2. The weight of the lid is 7.07 kg.

				DP-16.30.13-VCH			Art.33354/16-3	
Rev.	Sheet	Doc. No.	Sign.	Data	Trap type M125 GGG50	Let.	Weight (kg)	Scale
							18.38	1:5
						Sheet 1	Sheets 1	
Reg. Doc. Ctrl	Dyka				GGG50			
Aprvd by	Dorel							

Copied by

Size A3