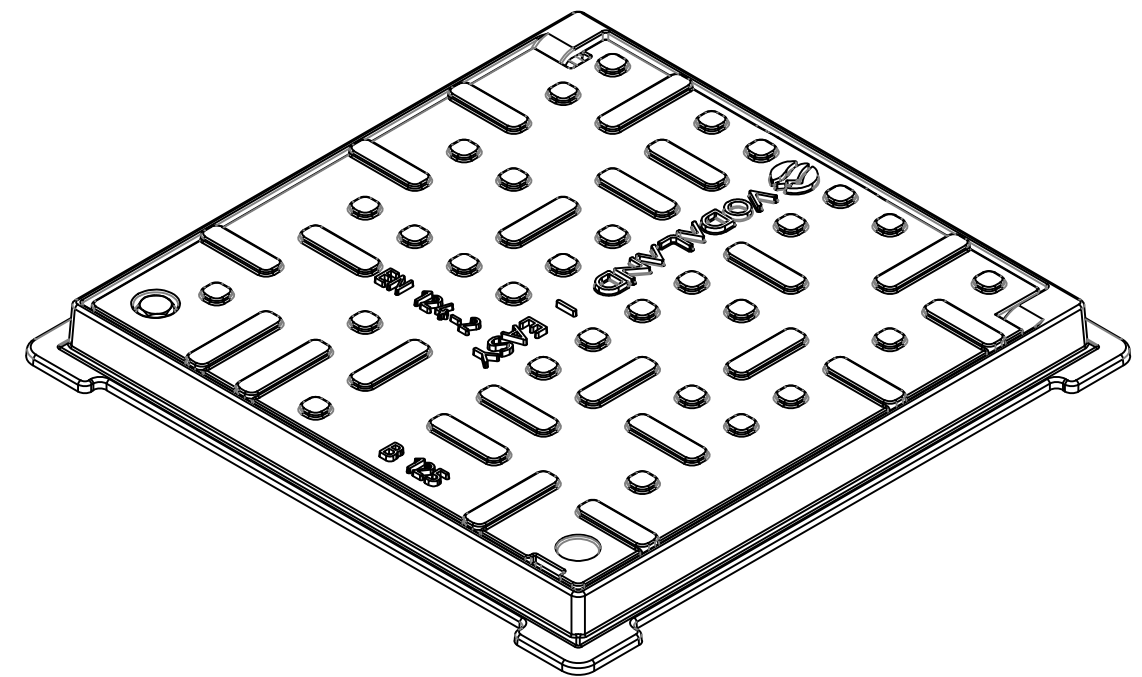
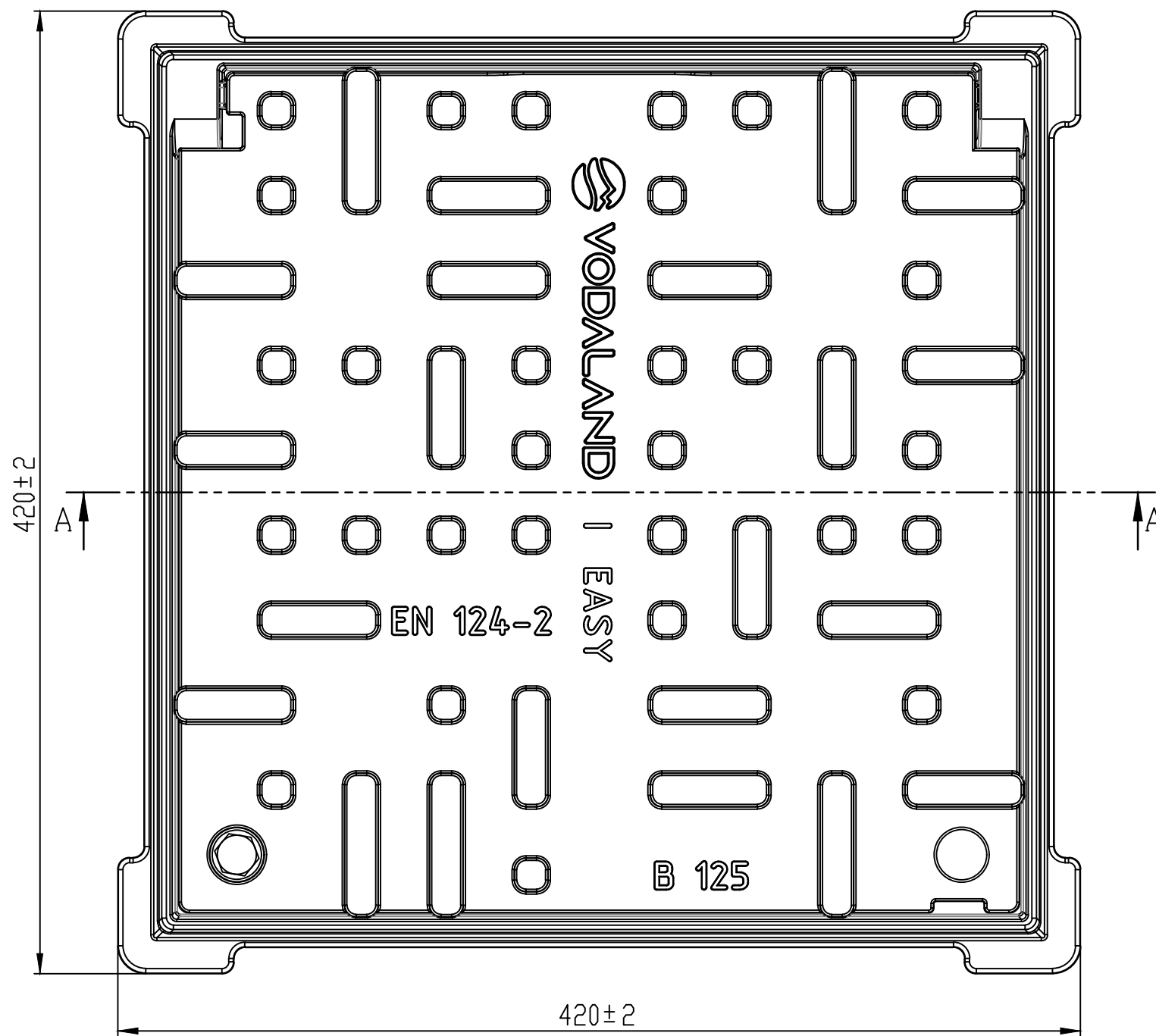
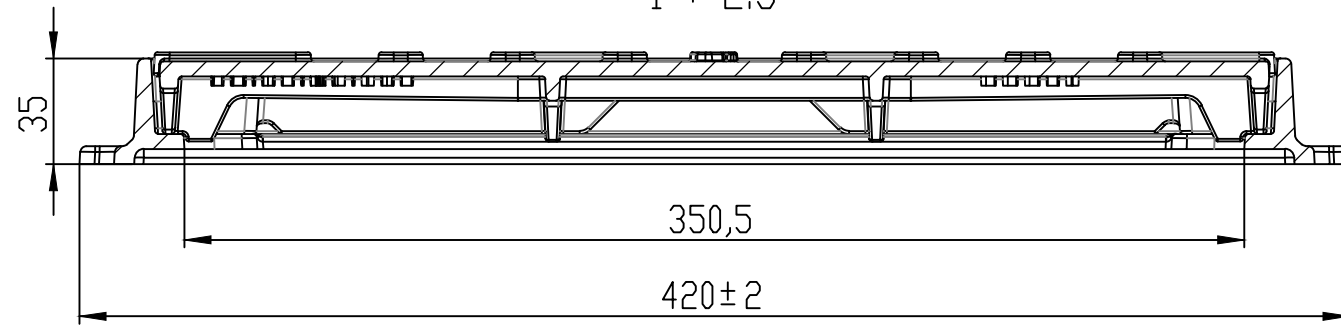


A-A
1 : 2,5



1. Deviation of the actual weight of the nominal can be up to 12%
2. The clear passage dimension is 250x250mm

				Cast Iron Cover URBAN		Art. 35455/4-3	
				Load class B125		Weight [kg]	Scale
						10.2	1:5
Rev. Sheet	Name	Semn.	Data	MATERIAL Ductile cast iron (GGG50)		Sheet 1	Sheets 1
Dvlpd by	Prokopenko		23.12.2021				
Chkd by	Dyka						
Tech. Ctrl	Polunin						
Aprvd by	Negru						

