

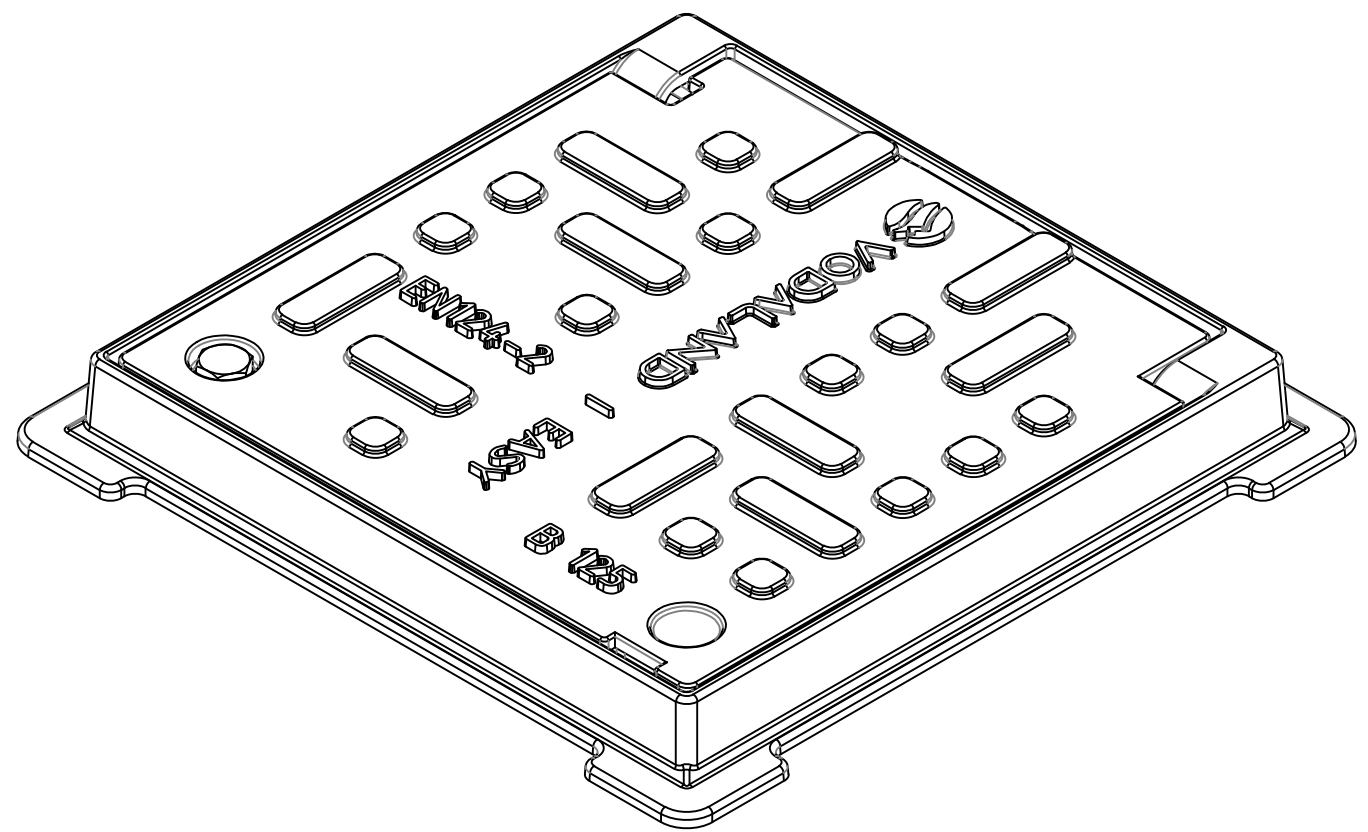
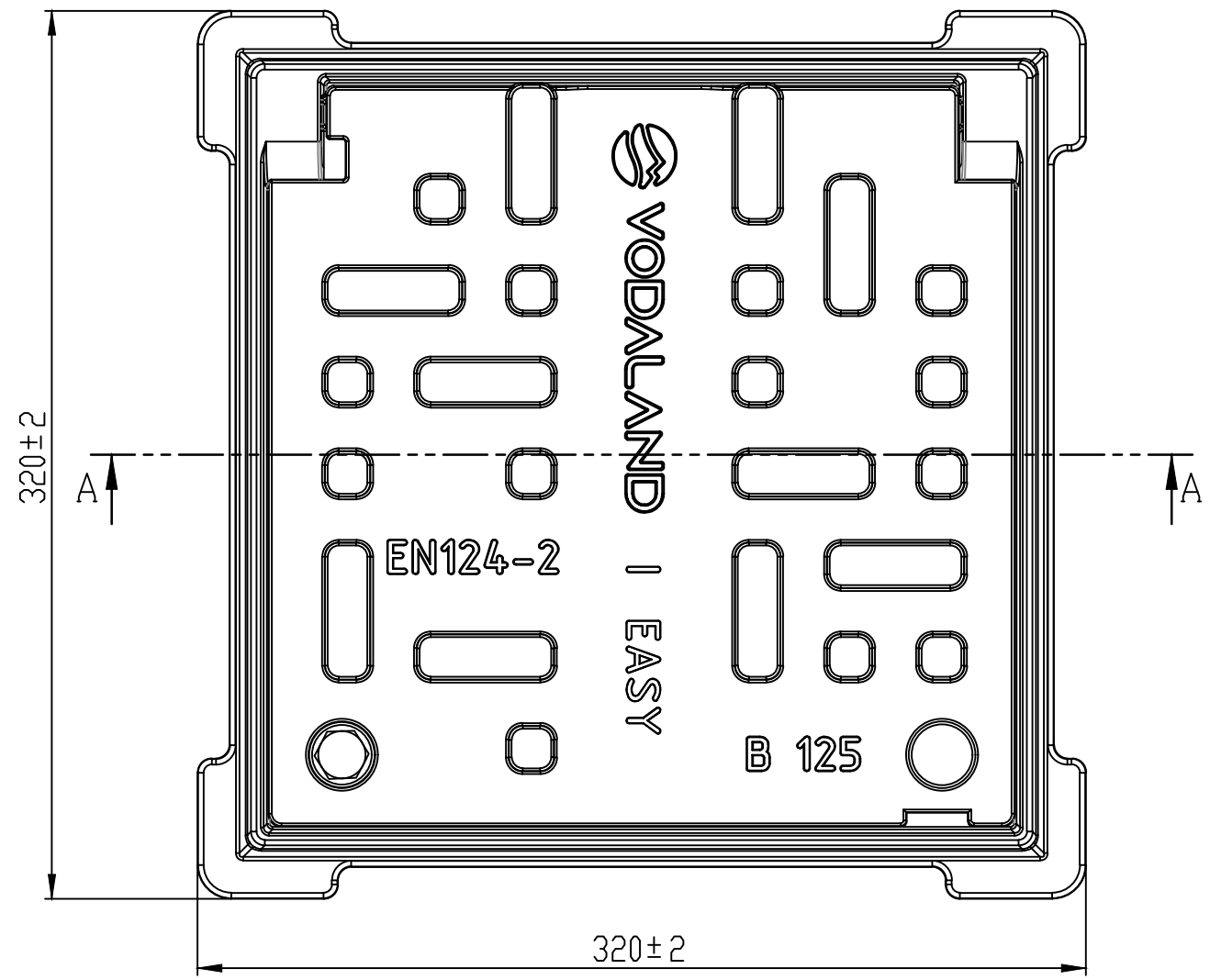
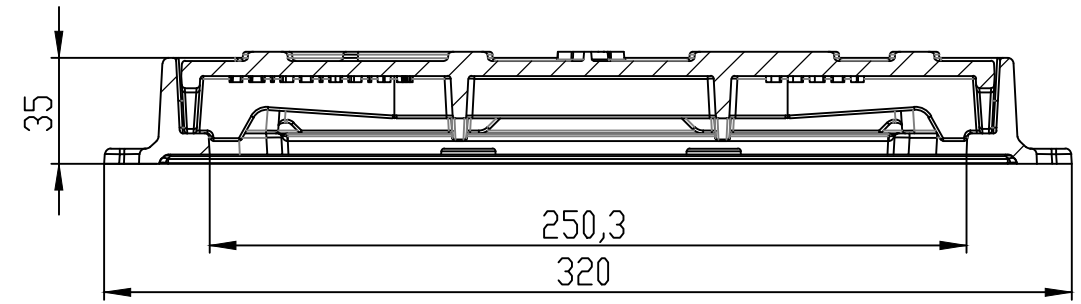
Primary Usage

Reference No.

Orig. Inv. No. | Sign. and date | Repl. Inv. No. | Copy inv. No. | Sign. and date

LK-25.32.04-GGG-F3.000

A-A
1 : 2.5



- 1. Deviation of the actual weight of the nominal can be up to 12%
- 2. The clear passage dimension is 250x250mm

					LK-25.32.04-GGG-F3.000			Art. 35454/4-3	
Rev.	Sheet	Doc. No.	Sign.	Data	Square hatch B125 cast iron		Let.	Weight (lb)	Scale
Dvlpd by	Prokopenko			30.04.2022				6.9	1:5
Chkd by	Dyka						Sheet 1		Sheets 1
Tech. Ctrl	Kachanovskyy								
Reg. Doc. Ctrl	Tsyurak				GGG50				
Aprvd by	Negru								

Copied by

Size A3