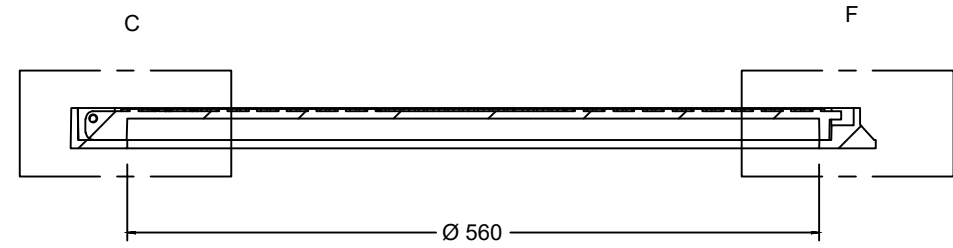
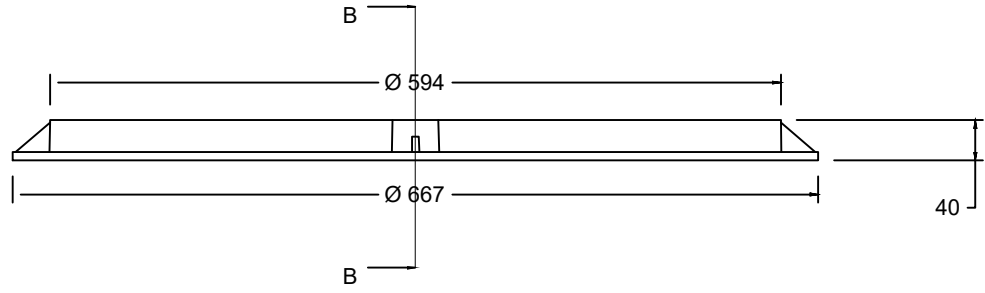


66594

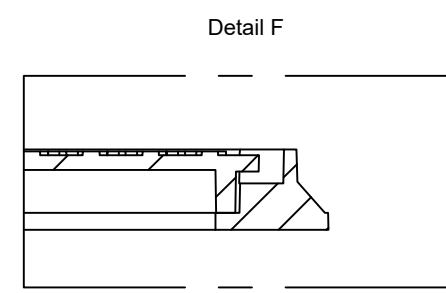
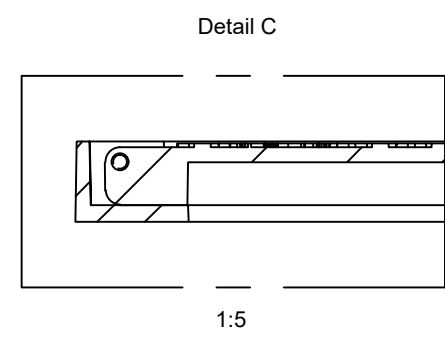
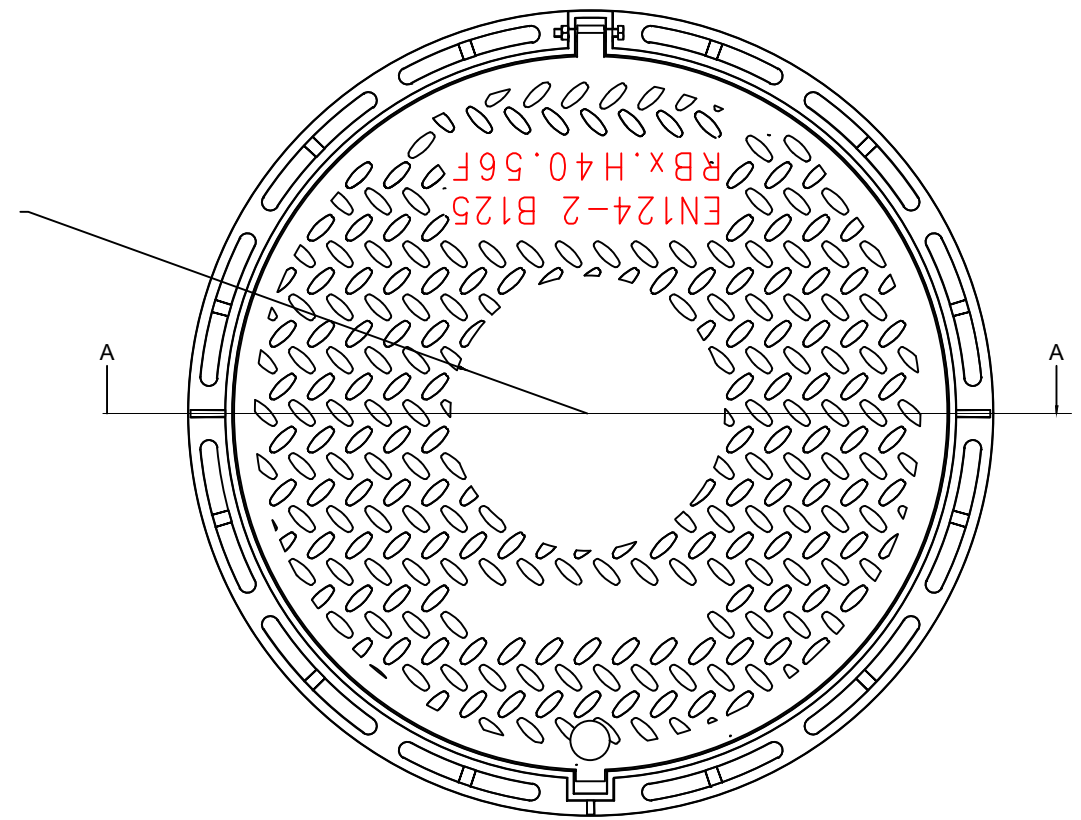
Primary Usage

Reference No.

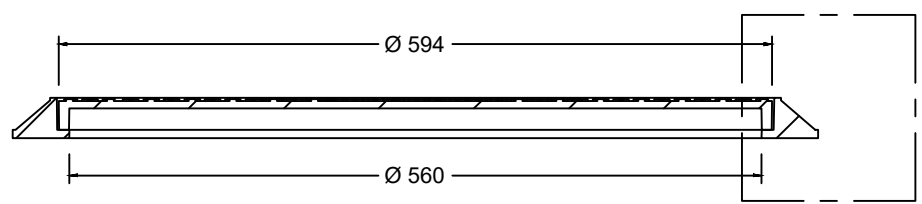
Orig. Inv. Nb. Sign. and date Repl. Inv. No. Copy inv. Nb. Sign. and date



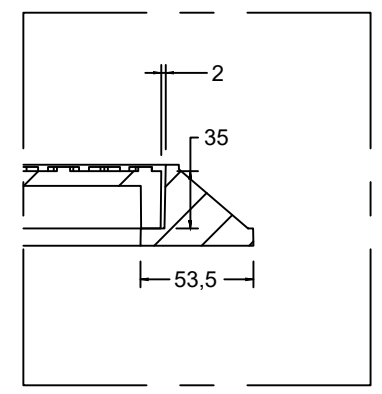
Section B-B



1:5



Section A-A



Detail E

Rev	Sheet	Doc. No.	Sign.	Data

CAST IRON COVER URBAN

Art. 66594

66594
Load class B125

Let.	Weight	Scale
	20kg	1:4
Sheet	Sheets 1	

Ductile cast iron



Copied by

Size A3