

Primary Usage

Reference No.

Sign. and date

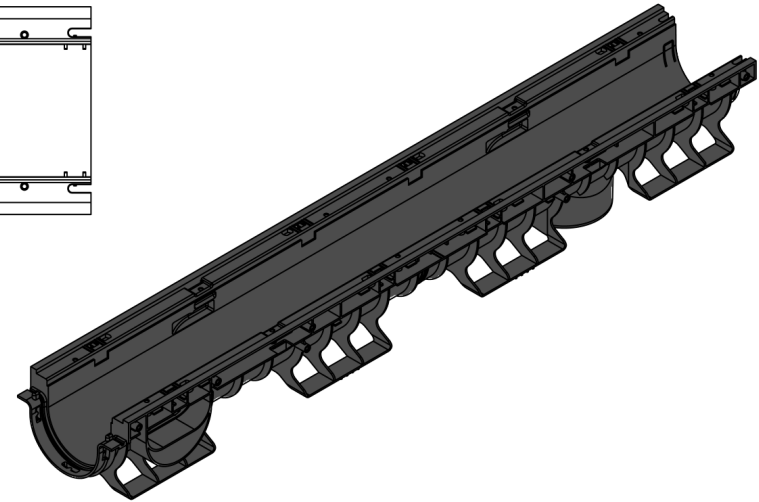
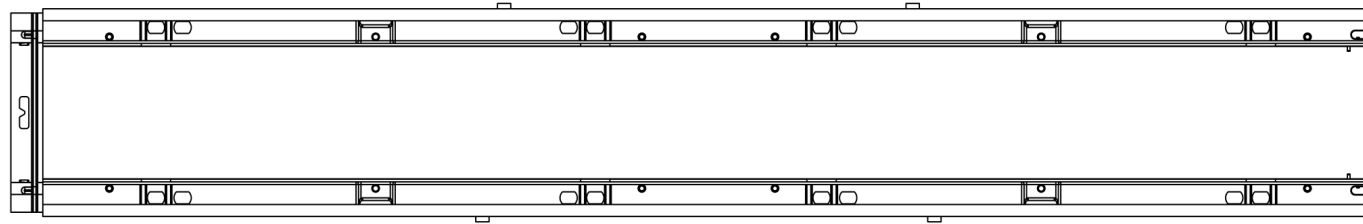
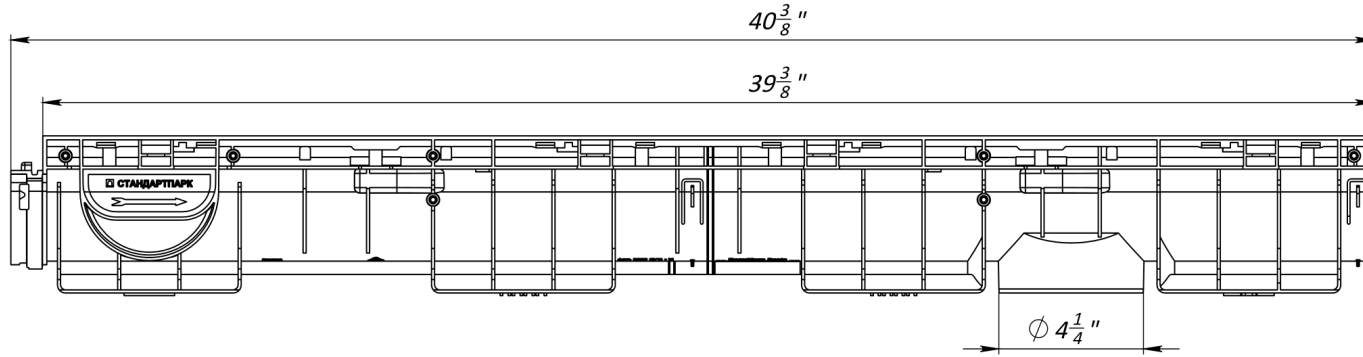
Copy inv. No.

Repl. Inv. No.

Sign. and date

Orig. Inv. No.

4" Plastic Channel



Deviation of the actual weight of the nominal can be up to 10%

									Art. 8020-M
									4" Plastic Channel
									Let. Weight (lb) Scale
									8020-M
									2.60 1:4
									Sheet Sheets 1
									Plastic
									VODALAND