

Primary Usage

Reference No.

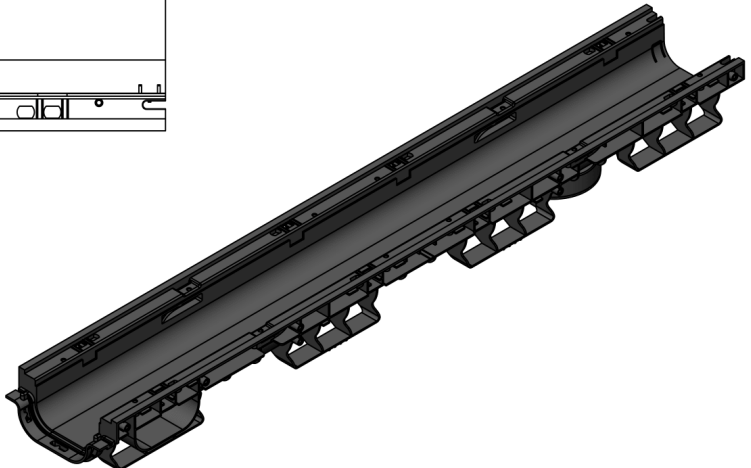
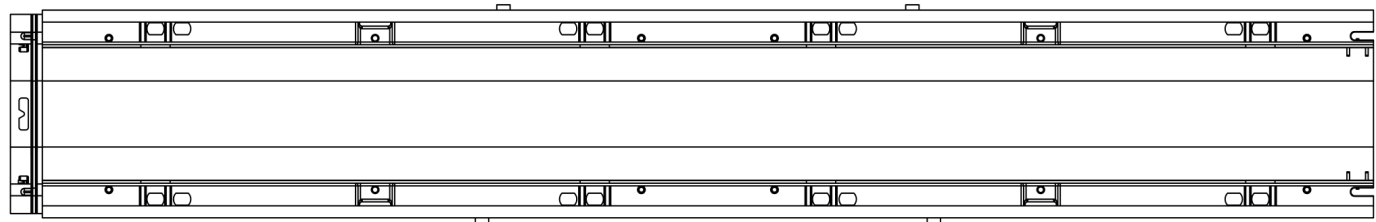
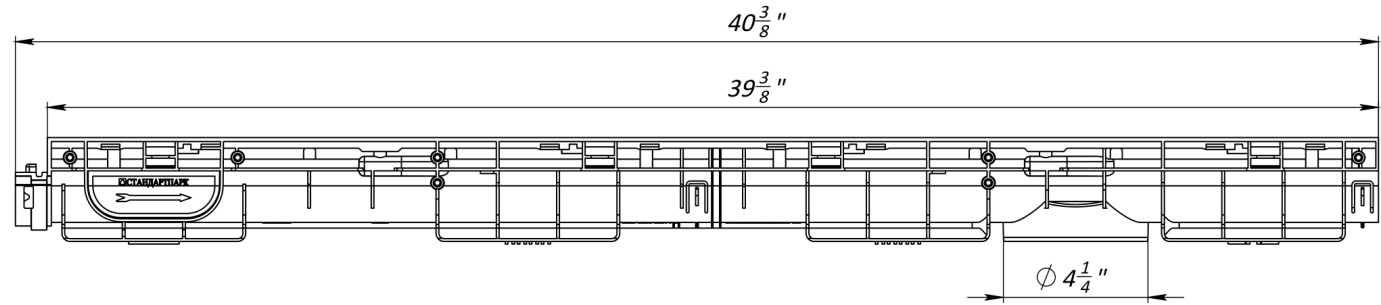
Sign. and date

Copy inv. No.

Repl. Inv. No.

Sign. and date

Orig. Inv. No.



Deviation of the actual weight of the nominal can be up to 10%

										Art. 8010-M
										4" Plastic Channel
										Let. Weight (lb) Scale
										8010-M
										2.08 1:4
										Sheet Sheets 1
										Plastic
										VODALAND

4" Plastic Channel