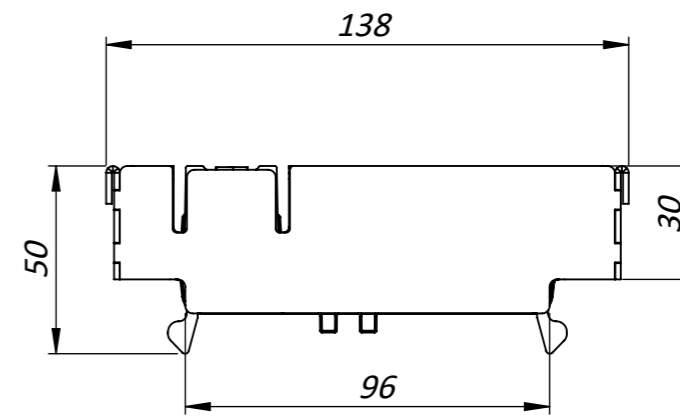
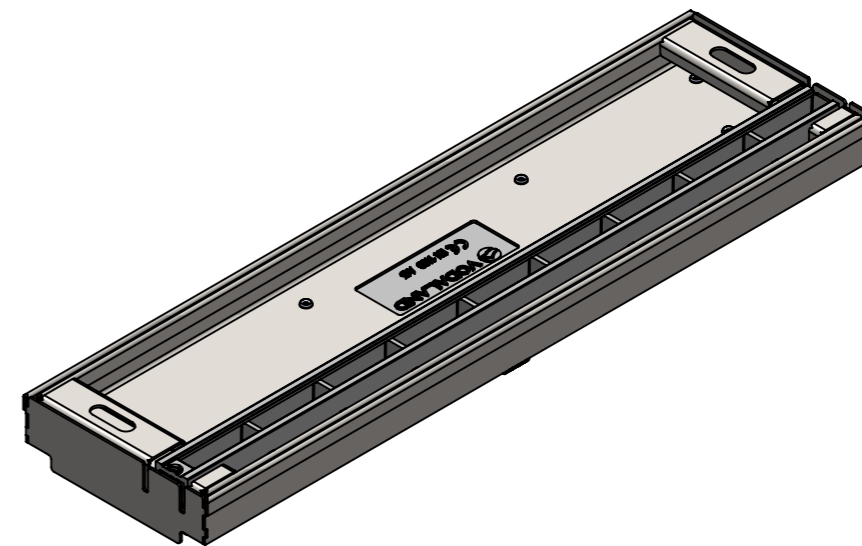
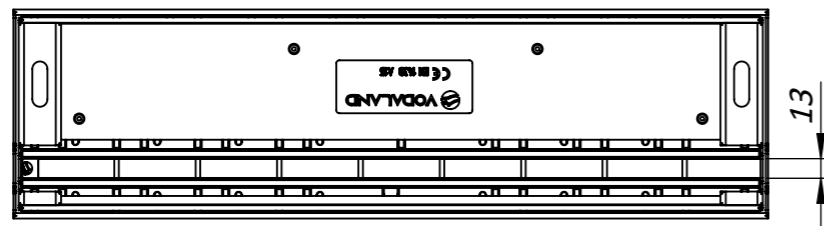





A



A (1 : 2)



1. Deviation of the actual weight of the nominal can be up to 8%.
2. Hydraulic cross-sectional area - 57 cm<sup>2</sup>.

UNLESS OTHERWISE SPECIFIED: DIMENSIONS ARE IN MILLIMETERS SURFACE FINISH: TOLERANCES: ISO 2768-c LINEAR: ANGULAR:		FINISH:		DEBURR AND BREAK SHARP EDGES		DO NOT SCALE DRAWING		REVISION	
DRAWN LYY		SIGNATURE		DATE 20.12.22		 <b>TITLE:</b> Composite revision of slot plastic drain L-type H25 for channel Base DN100 A15  <b>ARTICLE:</b> 209875-L-25  A3			
CHK'D LMK									
APPV'D									
MFG									
Q.A									
				MATERIAL:		WEIGHT: 1.94 kg		SCALE: 1:5	
						SHEET 1 OF 1			