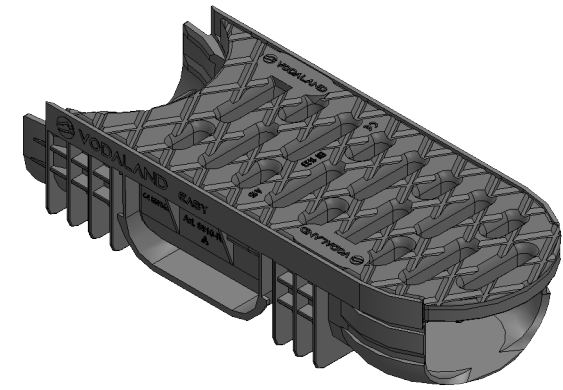
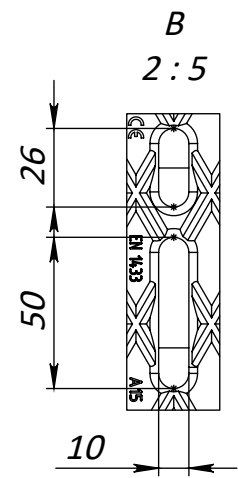
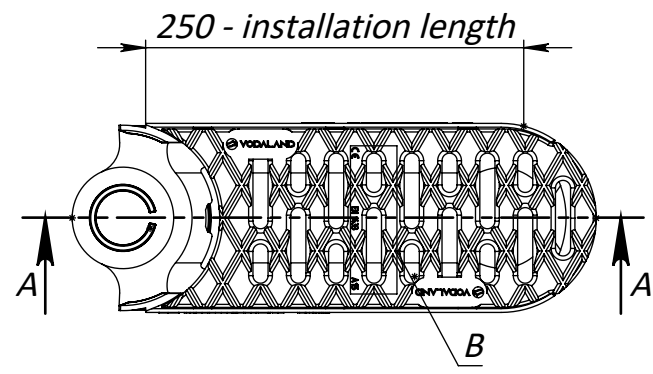
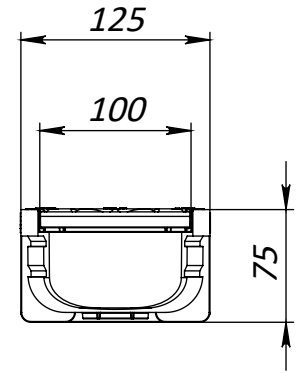
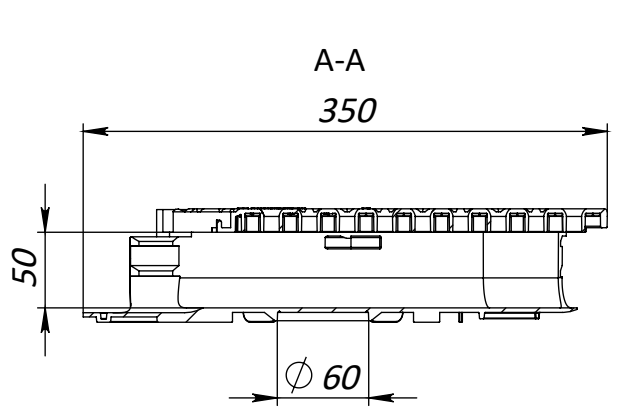


6 5 4 3 2 1

D  
C  
B  
A

D  
C  
B  
A



- 1. Deviation of the actual weight of the nominal can be up to 8%
- 2. Area of water intake slots 62,28 sq cm

|  |  |         |  |                      |  |          |  |                 |  |
|--|--|---------|--|----------------------|--|----------|--|-----------------|--|
| UNLESS OTHERWISE SPECIFIED:<br>DIMENSIONS ARE IN MILLIMETERS<br>SURFACE FINISH:<br>TOLERANCES: ISO 2768-c<br>LINEAR:<br>ANGULAR: |  | FINISH: |  | DO NOT SCALE DRAWING |  | REVISION |  | A-01            |  |
| DRAWN  |  | NAME    |  | SIGNATURE            |  | DATE     |  | TITLE:          |  |
| CHK'D  |  | PSM     |  |                      |  | 24.05.24 |  |                 |  |
| APPV'D   |  | PMK     |  |                      |  |          |  |                 |  |
| MFG  |  |         |  |                      |  |          |  |                 |  |
| Q.A  |  |         |  |                      |  |          |  |                 |  |
|  |  |         |  |                      |  |          |  | Load class: A15 |  |
|  |  |         |  |                      |  |          |  | ARTICLE:        |  |
|  |  |         |  |                      |  |          |  | A4              |  |
|  |  |         |  |                      |  |          |  | WEIGHT: -       |  |
|  |  |         |  |                      |  |          |  | SCALE: 1:5      |  |
|  |  |         |  |                      |  |          |  | SHEET 1 OF 1    |  |

| Name (general)   | The set is presented in the following colours | Article      | Weight, kg |
|--|---|--------------|------------|
| Plastic rotary central channel Easy 2 DN100 H75 with plastic rotary central grate A15 black (08818-R2) | black   | 08818-R2     | 0,402      |
|  | terracotta                                    | 08818-R2-TT  |            |
|  | white   | 08818-R2-WT  |            |
|  | sand  | 08818-R2-SD  |            |
|  | green   | 08818-R2-GN  |            |
|  | dark-gray                                     | 08818-R2-DGY |            |
|  | gtay  | 08818-R2-GY  |            |

6 5 4 3 2 1