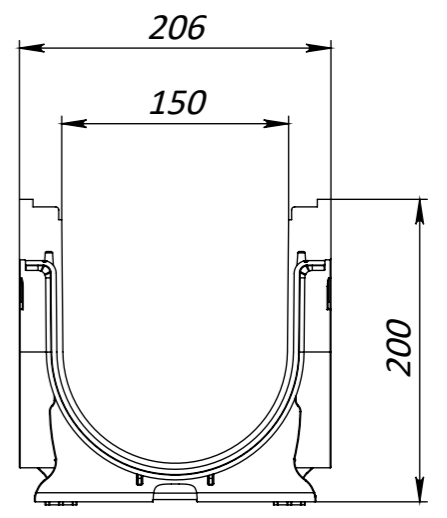
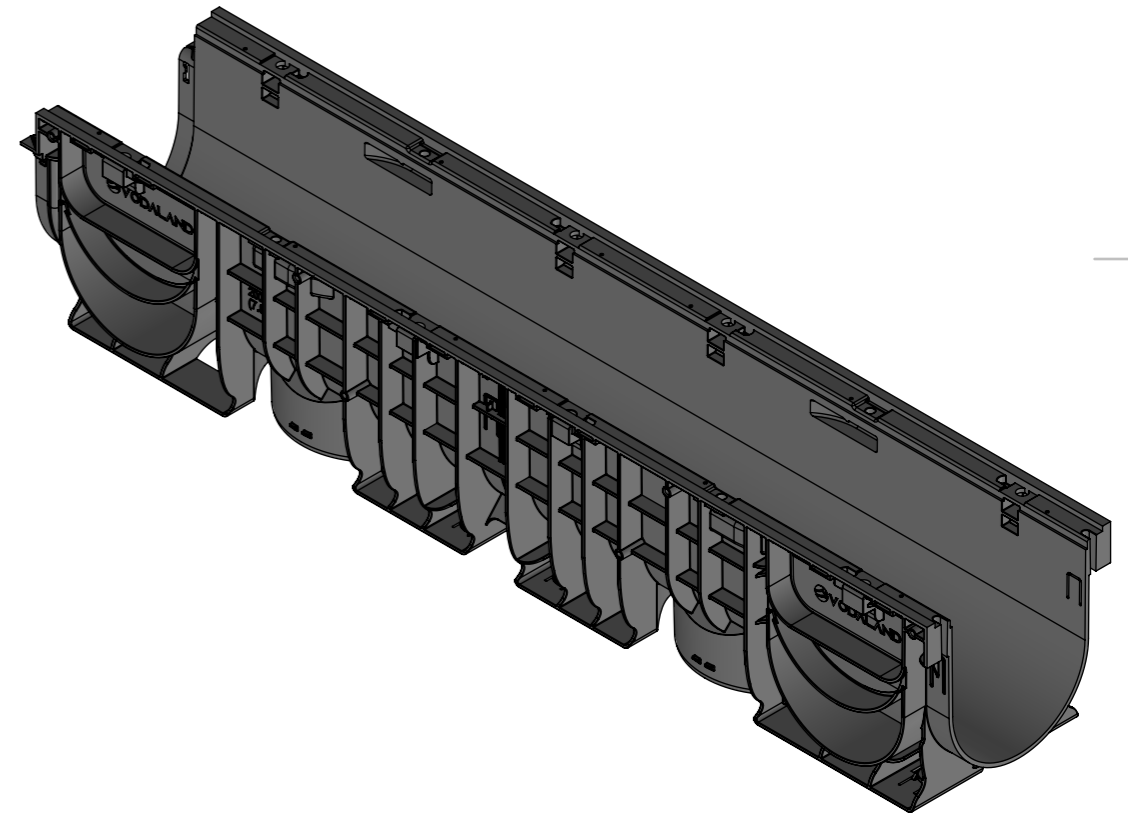



A-A
1:5
1000



1021



1. Deviation of the actual weight of the nominal can be up to 8%

UNLESS OTHERWISE SPECIFIED: DIMENSIONS ARE IN MILLIMETERS SURFACE FINISH: TOLERANCES: ISO 2768-c LINEAR: ANGULAR:				FINISH:		DO NOT SCALE DRAWING		REVISION	
						 TITLE: Plastic channel Base DN150 H200 ARTICLE: 82200 SCALE: 1:5 SHEET 1 OF 1			
	NAME	SIGNATURE	DATE						
DRAWN	PSM		17.06.25						
CHK'D	PMK								
APPV'D									
MFG									
Q.A						MATERIAL: Plastic		ARTICLE: 82200	
						WEIGHT: 3.11 kg.		A3	